



Single Sided Visor

- 1ft - LS6213
- 2 ft - LS6214
- 3 ft - LS6215
- 4 ft - LS6216

Three Sided Visor

- 1ft - LS6217
- 2 ft - LS6218
- 3 ft - LS6219
- 4 ft - LS6220

Louvre

- 1ft - LS6209
- 2 ft - LS6210
- 3 ft - LS6211
- 4 ft - LS6212

SELECT INSTALLATION

- Louvre ▶ Go to Section A
- Single Sided Visor ▶ Go to Section B
- Three Sided Visor ▶ Go to Section B

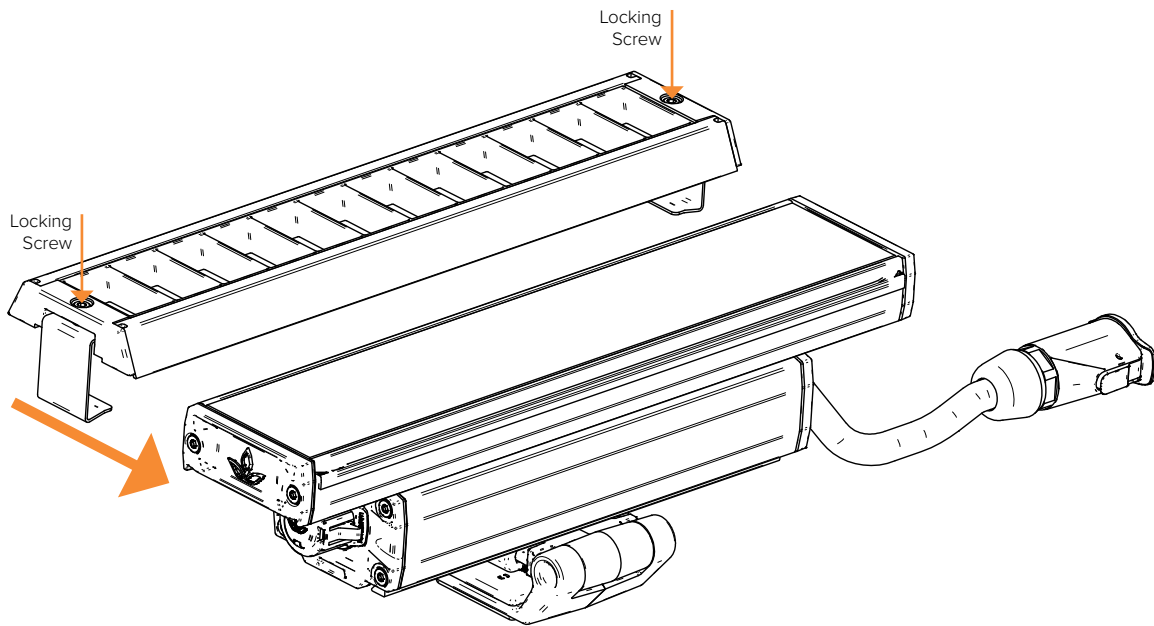
There are a variety of shielding and glare control options available for Lumascope's Linealux L5. Even though the luminaire comes in different lengths, the installation process for the shielding and glare control accessories is the same for all of them.

READ ALL SAFETY INSTRUCTIONS FIRST

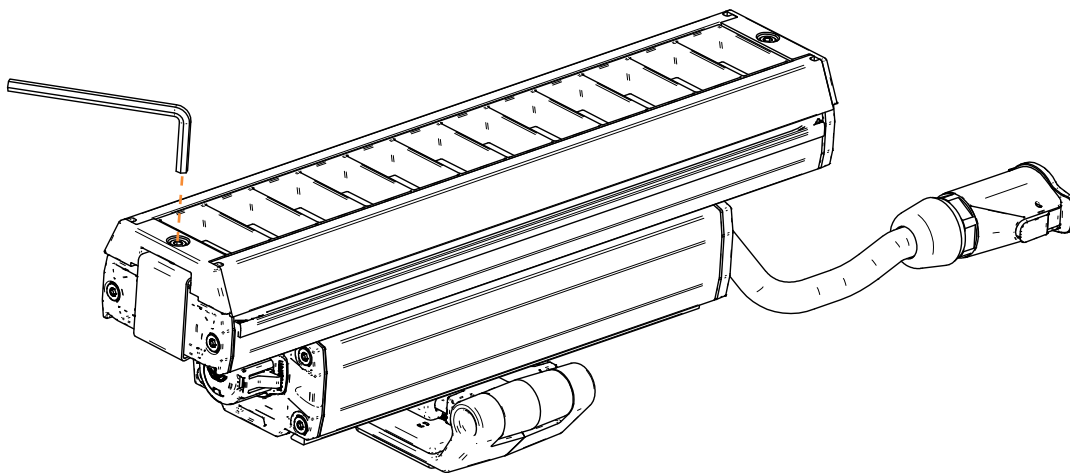
- › Follow instructions carefully, failure to do so will void warranty.
- › Luminaire is factory sealed, opening luminaire will void warranty.

Section A - Install Louvre

Make sure locking screws are loosened before you begin.
Slide the louvre over the luminaire body as shown.

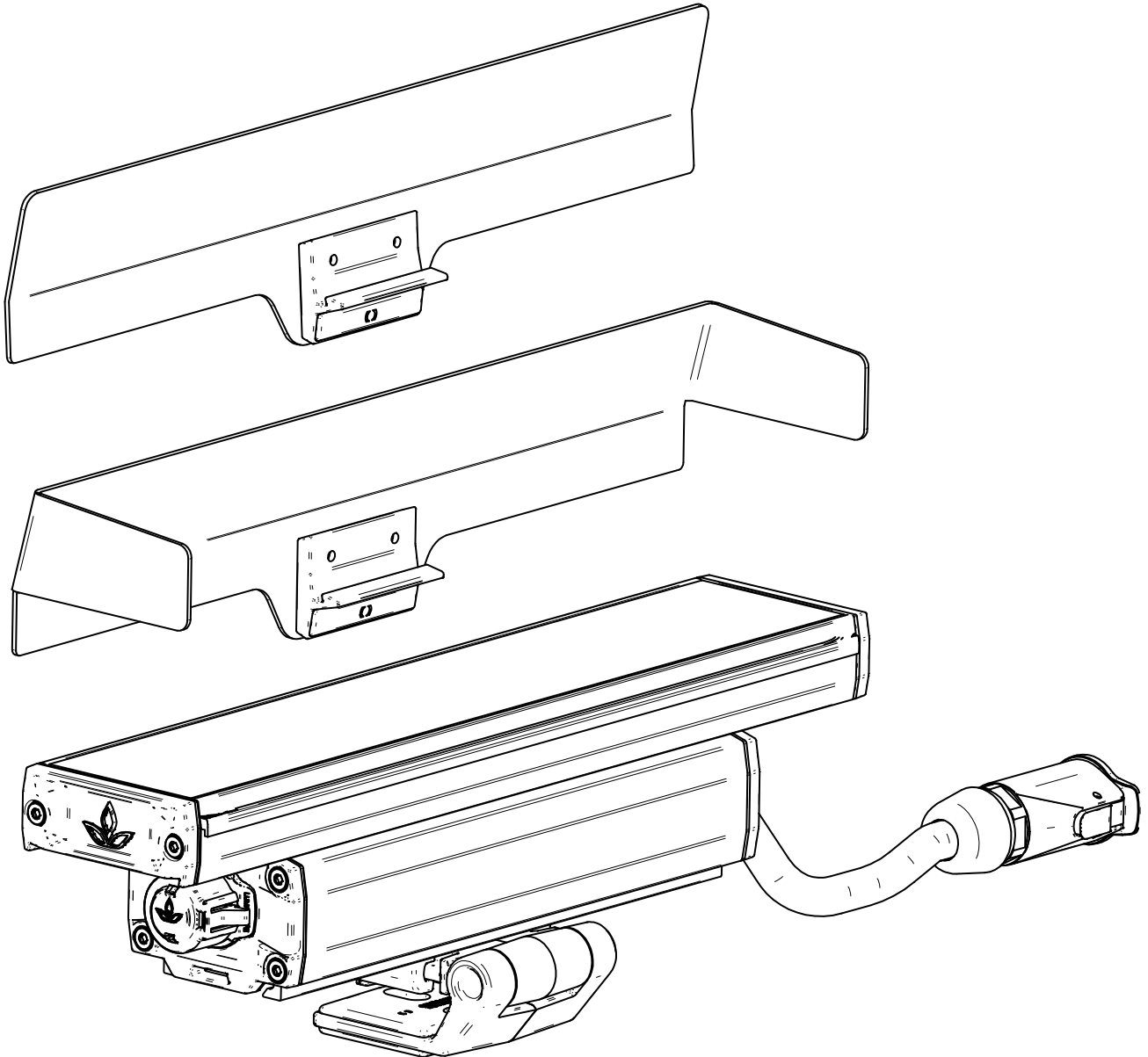


Secure the louvre tightening the locking screws.



Section B - Install Single or Double Sided Visor

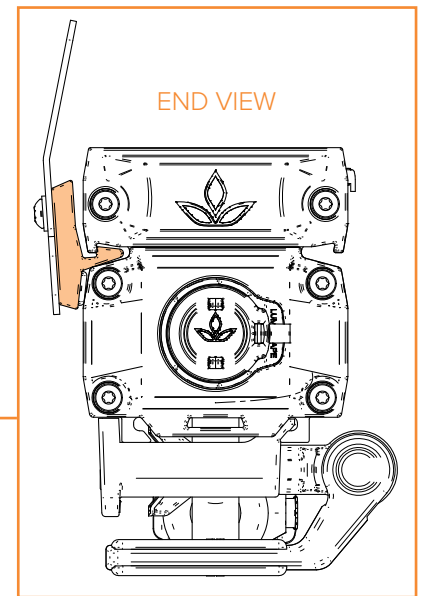
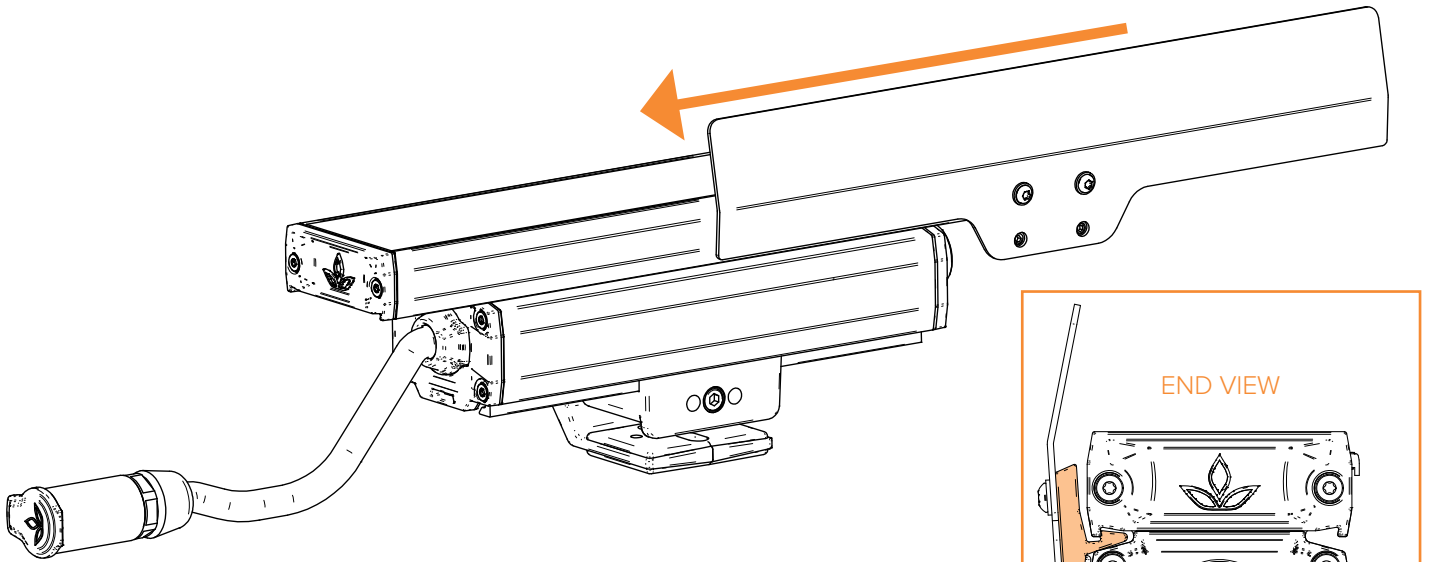
Please note that the sine sided visor and the thre sided visor are installed in exactly the same manner.



ACCESSORY FOR **L5**

INSTALLATION INSTRUCTIONS SHIELDING & GLARE CONTROL LINEALUX L5 RANGE

Slide the key on the visor into the groove on the luminaire. See end view for details.



Tighten locking screws to secure visor on place.

