



The LS67100 translates standard DMX-512 digital control signals to PWM (pulse width modulation) to control a range of Lumascope's PWM compatible LED luminaries. Connect to any compatible DMX digital controller to achieve dimming and various colour changing patterns.

Electrical

Input Voltage	24V DC
Rating	25W max
Output	3 x 0.25A max
Output Circuits	3

Control

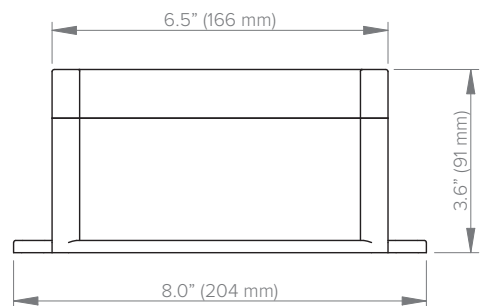
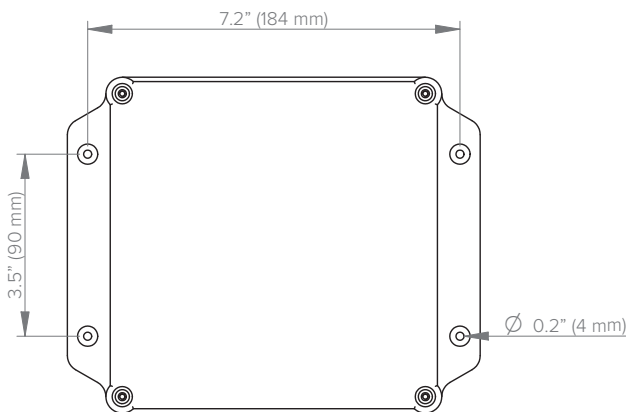
Dimming Options	DMX512
-----------------	--------

Physical

Weight	0.5lb (0.2kg)
--------	---------------

Certification & Compliance

IP Rating	IP65
Certifications	CE



Network Topology - Low Voltage

