



LUMASCAPE

D M X

MODELS LS67200 RGB DMX Fixture Controller
24 V DC (ripple free supply) OR
12 V AC (magnetic transformer only)
Max fixture wattage 360 W
IP65
Ta 50°C

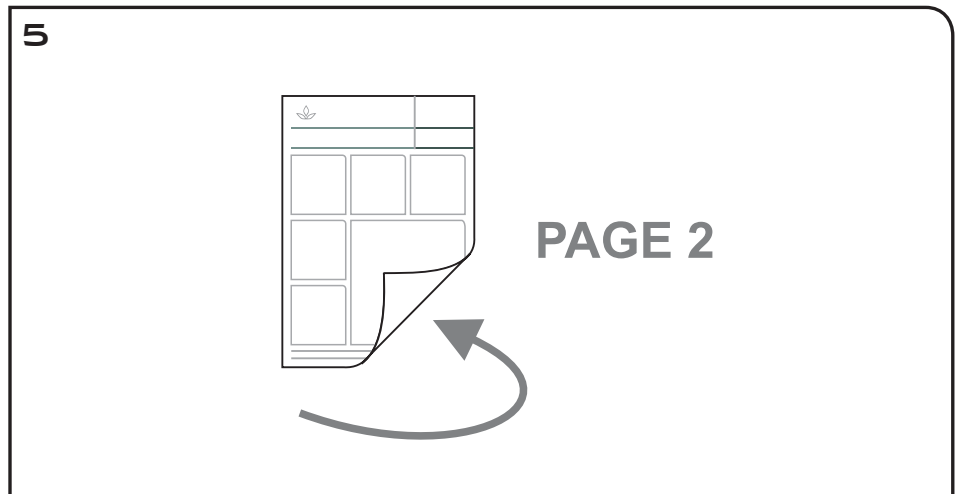
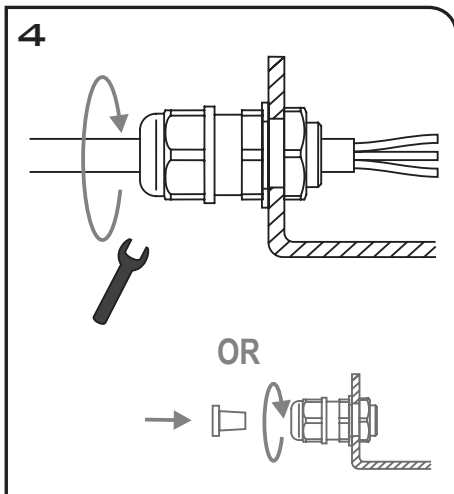
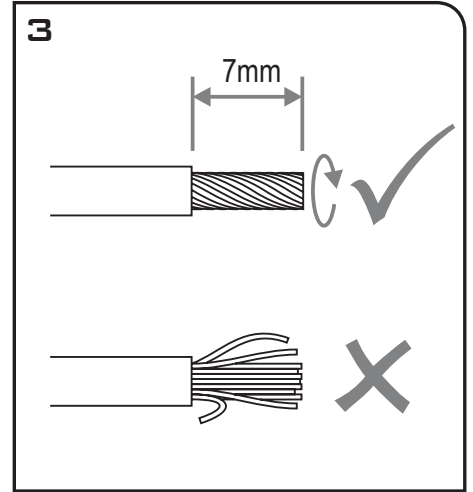
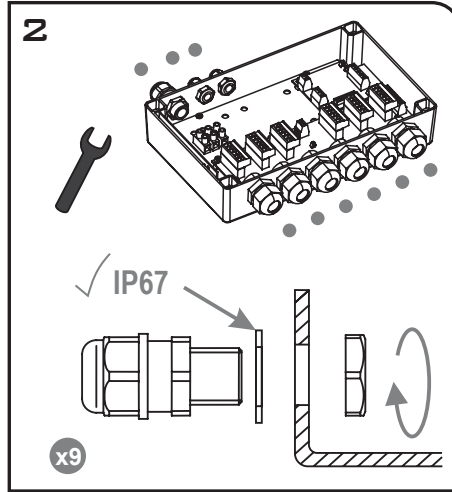
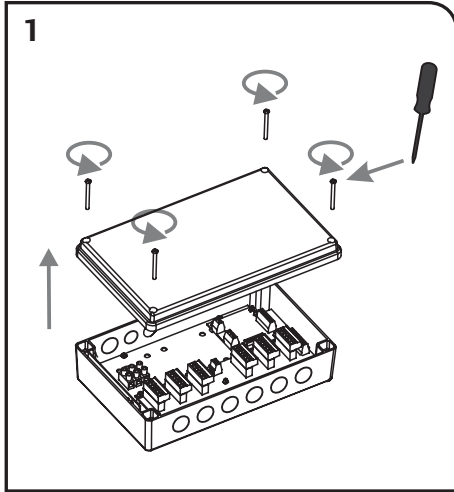


IMPORTANT INSTRUCTIONS

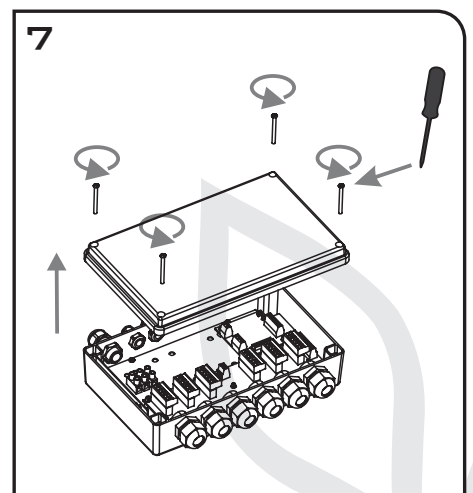
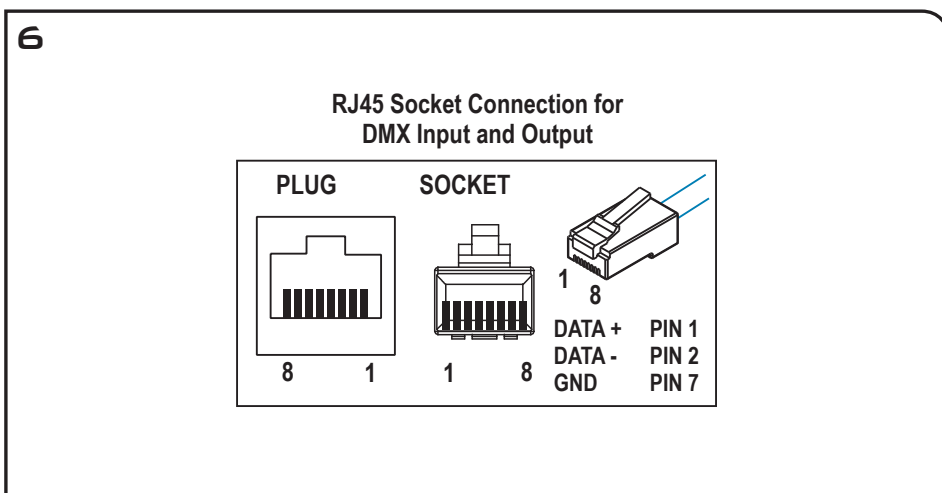
6 Luminaires - All luminaires changing in unison
For Installation LS67200 series RGB DMX Fixture Controllers

PAGE
1
OF 3

LumascapE Lighting Industries Pty Ltd
38-44 Enterprise Street, Cleveland, QLD 4163, Australia
PO Box 1875, Cleveland D.C., QLD 4163, Australia
T 07 3286 2299
F 07 3286 6599
E sales@lumascapE.com.au
W www.lumascapE.com.au



PAGE 2



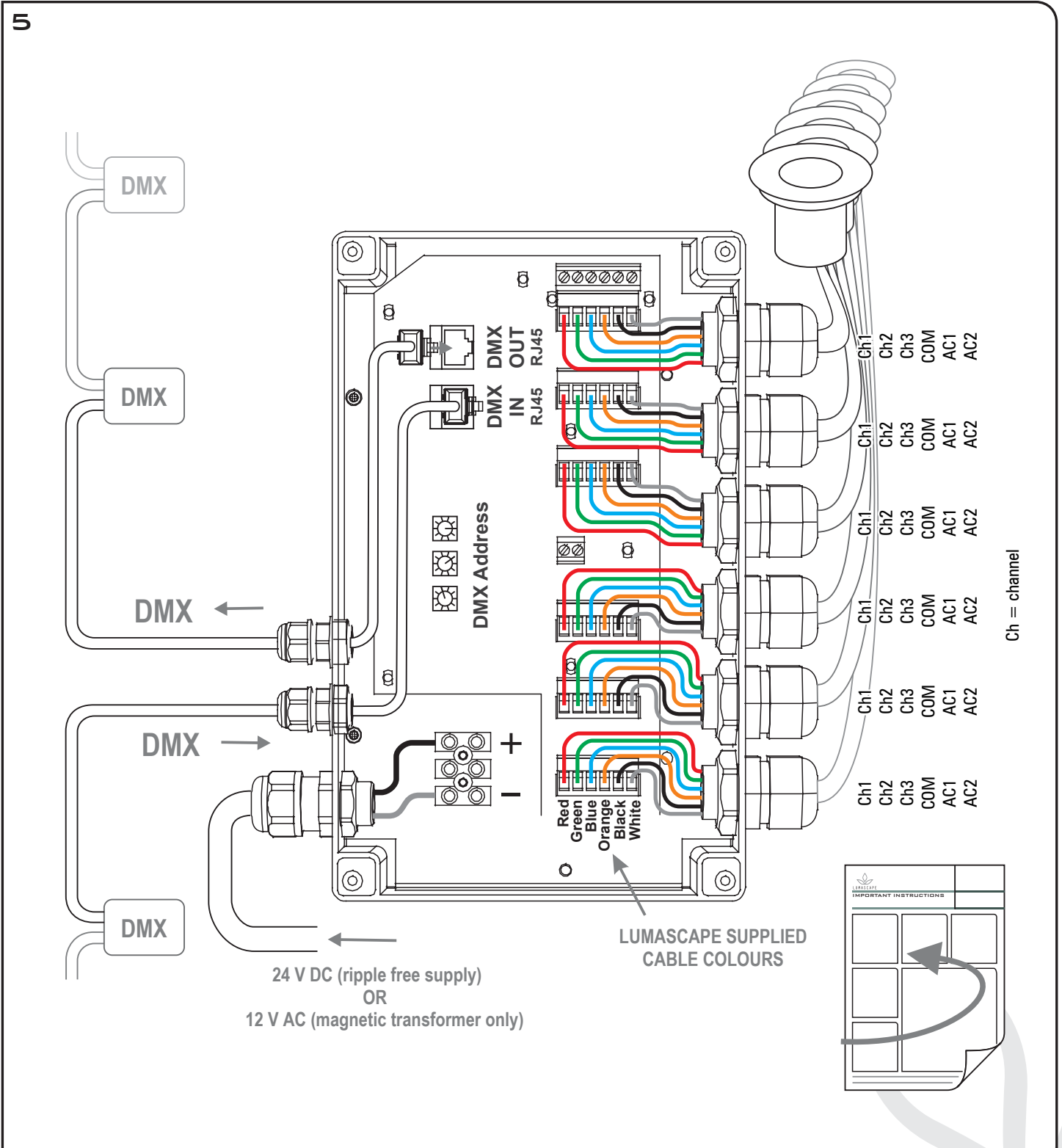
www.lumascapE.com.au

IMPORTANT INSTRUCTIONS

6 Luminaires - All luminaires changing in unison
 For Installation LS67200 series RGB DMX Fixture Controllers

PAGE
2
 OF 3

Lumascap Lighting Industries Pty Ltd
 38-44 Enterprise Street, Cleveland, QLD 4163, Australia
 PO Box 1875, Cleveland D.C., QLD 4163, Australia
 T 07 3286 2299
 F 07 3286 6599
 E sales@lumascap.com.au
 W www.lumascap.com.au



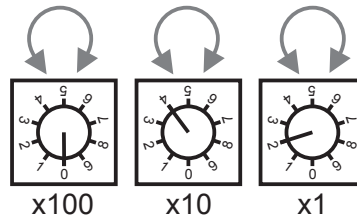
IMPORTANT INSTRUCTIONS

For Single Luminaire
For Installation LS67200 series DMX RGB Controllers

PAGE
3
OF 3

Lumascap Lighting Industries Pty Ltd
38-44 Enterprise Street, Cleveland, QLD 4163, Australia
PO Box 1875, Cleveland D.C., QLD 4163, Australia
T 07 3286 2299
F 07 3286 6599
E sales@lumascap.com.au
W www.lumascap.com.au

ROTARY SWITCH SETTINGS



Example
shown: 042

Set DMX address between 000 - 512

Note: A Lumascap DMX device for RGB will use the address selected plus the next 2 addresses (eg, If address selected is 021, then the DMX addresses will be Red:021, Green:022, Blue:023)

OR

Automatic Sequences

The rotary switches X100 X10 and X1 can be configured to get the following preprogrammed automatic sequences. and set colours

Rotary Switch			Sequence
X100	X10	X1	
7	1	Note1	1 (rainbow)
7	2	Note1	2 (blue-cyan oscillate)
7	3	Note1	3 (yellow wobble)
7	4	Note1	4 (red white green fade)
7	5	Note1	5 (rainbow -S)

Note 1: please see Sequence Speed Selection table for setting X1

Hard Coded Colour Settings

Rotary Switch			Set Colour
X100	X10	X1	
7	0	0	white
7	0	1	red
7	0	2	green
7	0	3	blue
7	0	4	yellow
7	0	5	cyan
7	0	6	magenta

Sequence Speed Selection

There are 10 speeds for each sequence set by the 3rd switch. The third switch will set the length of time taken to run the whole sequence.

For example, the 10 speeds for sequence 1 are as follows:

X1	Speed
0	Pause
1	1 hr
2	30 min
3	10 min
4	5 min
5	2 min
6	40 sec
7	30 sec
8	20 sec
9	10 sec