



A compact, fixed position, direct or indirect accent luminaire used for grazing wall or other accent illumination tasks. The Hakea HA1 is constructed from polished copper or powder-coated aluminium, providing a variety of aesthetic options, making it ideal for use in modern architectural designs. This luminaire features Lumascope's d5 driver technology for advanced dimming and control options.



Performance

Static White & Color ¹	Lumen Output (lm)	Efficacy (lm/W)	Peak Intensity (cd)
● 2,700 K (80 CRI)	–	–	–
● 3,000 K (80 CRI)	540	72	7,200
● 4,000 K (80 CRI)	556	75	7,400
● Blue	–	–	–

¹ Static white lumen output values are based on 6 W with 14° lens

Beam Angles	14°, 25°, 30°, 40°
--------------------	--------------------

Electrical

LED Power	6 W
Power Consumption	7.5 W maximum
Input Voltage	Low Voltage 24 Vdc

Control

Protocols	PWM (0-10 V to PWM, DMX to PWM and DALI to PWM converters available)
------------------	--

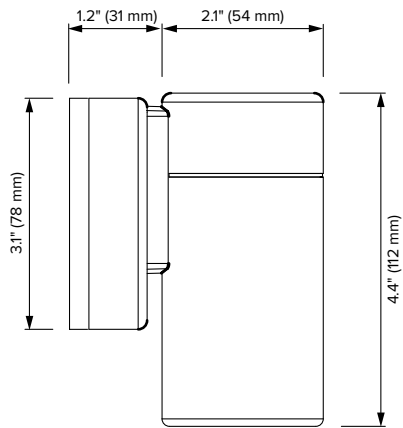
Physical

Housing	Polished copper or powder-coated aluminium
Installation	Wall-mount
Ambient Operating Temperature	-4 °F to 104 °F (-20 °C to 40 °C)
Surface Temperature	≤149 °F (65 °C) HumanTouch™ compliant

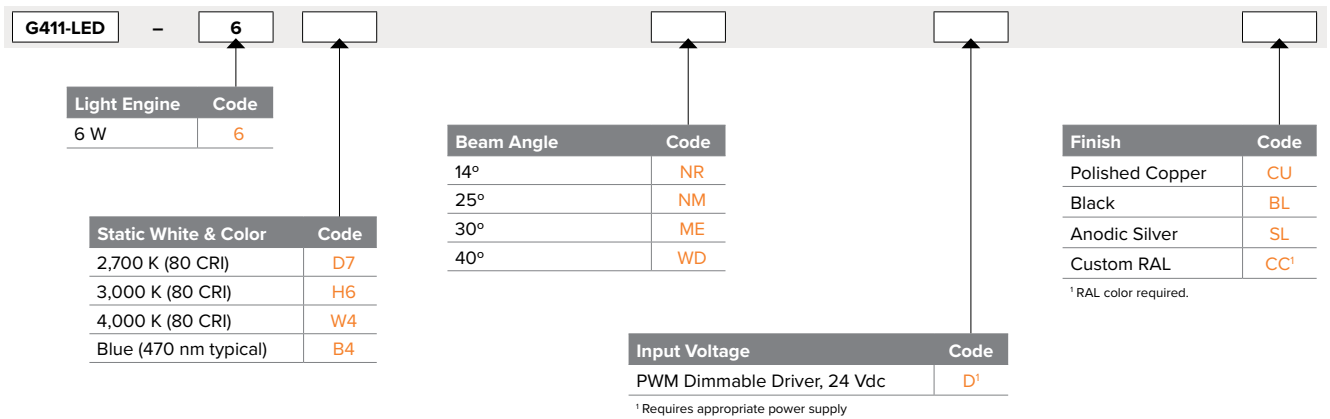
Certification & Compliance

IP Rating	IP65
Certifications	CE, RCM

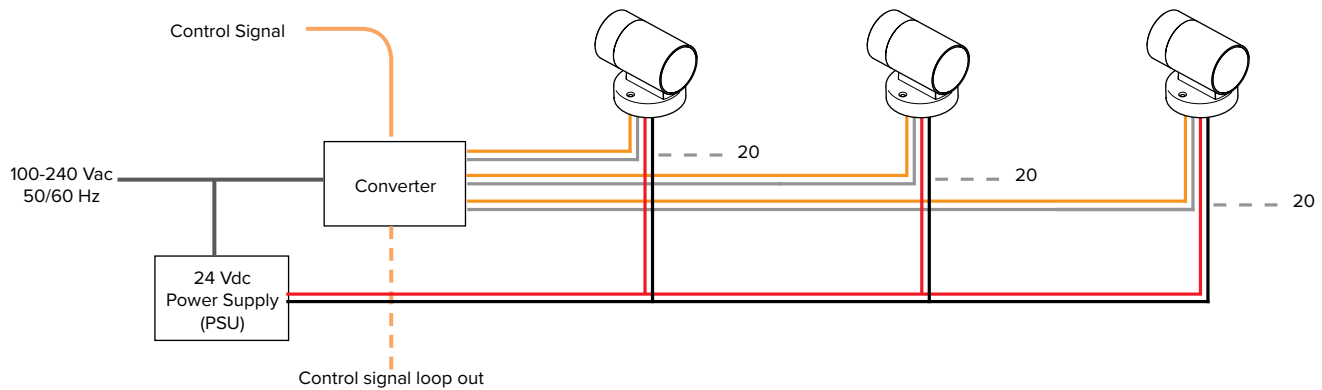
Dimensions



Specification Matrix



Network Topology – Static Color (DMX/DALI)



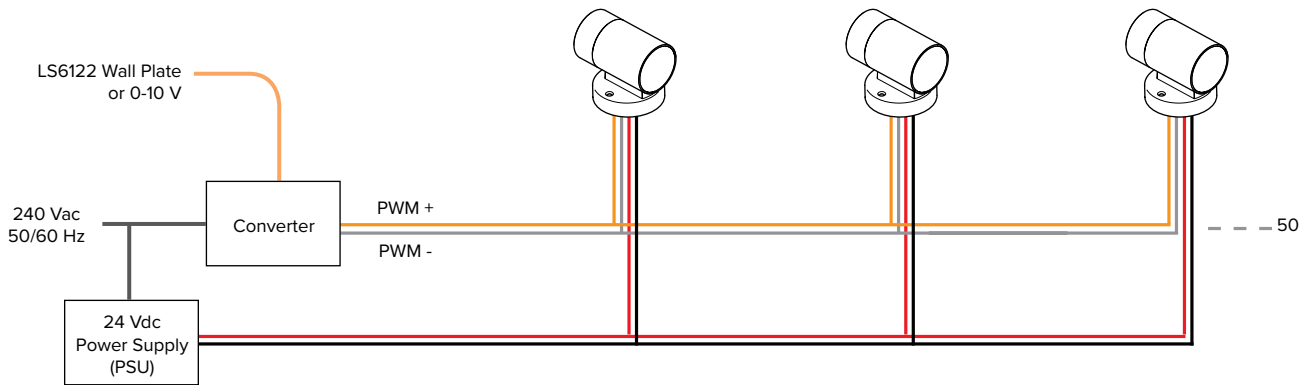
Up to 20 luminaires per run under the following conditions:

- Up to three (3) individually addressed dimmable channels
- Up to 20 luminaires per dimmable channel
- Luminaires driven by integral LED drivers
- Luminaires powered through individual power supplies or
- Luminaires powered through LS67100 PWM controller only (up to 100W total)
- Refer to 'Maximum Circuit Load' table for circuit limitations
- Always observe local electrical codes for branch circuit current limitations

Control Protocols

- DMX** For DMX control signal, use LS67100 DMX to PWM converter
- DALI** For DALI control signal, use LSLED-RGBDIM-DALI converter

Network Topology – Static Color (0-10 V)



Note:

Reversed dimming signal polarity connection at the LS6125-2 is correct. Observe polarity connections in all other locations.

Up to 50 luminaires per run under the following conditions:

- Stand-alone static color-dimming solution
- Up to 50 luminaires per dimmable channel
- Luminaires driven by integral LED drivers using LS6122 wall plate option
- Luminaires powered through individual or shared power supplies
- Refer to 'Maximum Circuit Load' table for circuit limitations
- Always observe local electrical codes for branch circuit current limitations

Control Protocols

- 0-10 V** For 0-10 V control signal, use LS6125-2 0-10 V to PWM converter

Maximum Circuit Load

	LSLED40W	LSLED120W	LSLED240W	LSLED320W	LSLED480W	LSLED600W
Output Voltage	24 Vdc	24 Vdc	24 Vdc	24 Vdc	24 Vdc	24 Vdc
Wattage	40 W	120 W	240 W	320 W	480 W	600 W
G411-LED, 6 W	3	11	22	30	45	56