



The Woda Brass WB3, is a pair of high-performance projectors that are precision-engineered for reliability in underwater, wet/dry, and dry applications. These luminaires are constructed from premium, corrosion-resistant brass and feature an impressive output of up to 2,600 lumens.

The Woda WB3 offers a range of configurable options, including RGBW (with royal blue) and static white CCTs, multiple beam angles, and additional glare control accessories. It ensures precise illumination of water features, sculptural installations, architectural elements, and landscapes, whether submerged or on land.

Easy-to-install with a 1 or 2 hole fixing mount yoke, the Woda WB3 is IP68 factory-sealed, for permanent submersion of up to 33' (10m). Enhance any lighting project with the technical capabilities and elegance of the Woda WB3, unlocking a realm of design possibilities.

Performance (29 W Option)

Static White & Color ¹	Lumen Output (lm)	Efficacy (lm/W)	Peak Intensity (cd)
3,000 K (80 CRI)	2,390	85	42,800
4,000 K (80 CRI)	2,590	92	46,300

¹ Lumen output values are based on a 29 W luminaire with 10° lens

Dynamic Color ²	Lumen Output (lm)	Efficacy (lm/W)	Peak Intensity (cd)
RGBW (4,000 K) with Royal Blue	1,530	55	25,900

² Lumen output values are based on a 29 W luminaire with 10° lens

Performance (15 W Option)

Static White & Color ¹	Lumen Output (lm)	Efficacy (lm/W)	Peak Intensity (cd)
3,000 K (80 CRI)	1,330	95	23,800
4,000 K (80 CRI)	1,440	103	25,700

¹ Lumen output values are based on a 15 W luminaire with 10° lens

Dynamic Color ²	Lumen Output (lm)	Efficacy (lm/W)	Peak Intensity (cd)
RGBW (4,000 K) with Royal Blue	880	62	14,400

² Lumen output values are based on a 15 W luminaire with 10° lens

Beam Angles	10°, 13°, 20°, 33°, 47°, 20° x 66°, 66° x 20°
-------------	---



Products and specifications are subject to change without notice. LS5330-240219

Electrical

Power Consumption	< 15 W, < 29 W
Lifetime	15W: > 179,506 hours @ 95°F (35°C) Water Temperature (B10, L90, TM21 Projected) 29W: > 179,506 hours @ 95°F (35°C) Water Temperature (B10, L90, TM21 Projected)
Input Voltage	Low Voltage 30 Vdc
Thermal Management	CoolDrive™ onboard thermal monitoring and control

Control

Interface	Lumascap PowerSync™
Protocols	DMX/RDM, Artnet ¹ , 0 - 10 V (sink or source) ²
PWM Frequency	2 kHz flicker-free dimming to 0.1%
RDM Functionality	PowerSync enabled Lumascap luminaires are shipped with a default RDM personality which provides smooth dimming control. For different dimming characteristics or to enable other special functionalities, the default personality can be changed through industry standard DMX/RDM.
Systems	Range of third-party controllers

¹ Some protocols require additional hardware. For more information and other available protocols contact Lumascap.

² Not available for color-changing or tunable white

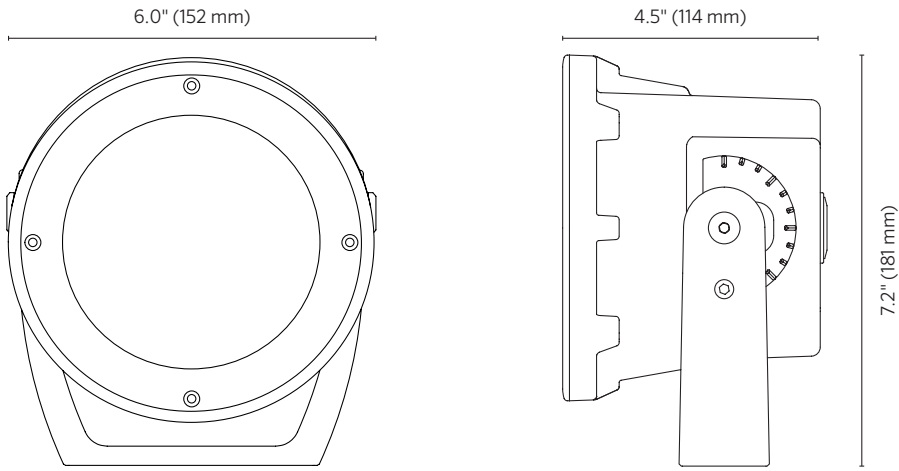
Physical

Housing	Die-cast brass
Installation	Surface-mounted
Adjustable	Multi-positional
Ambient Operating Temperature	-4°F to 122°F (-20°C to 50°C)
Water Temperature	-4°F to 95°F (-20°C to 35°C)
Weight	10.4 lb (4.7 kg)

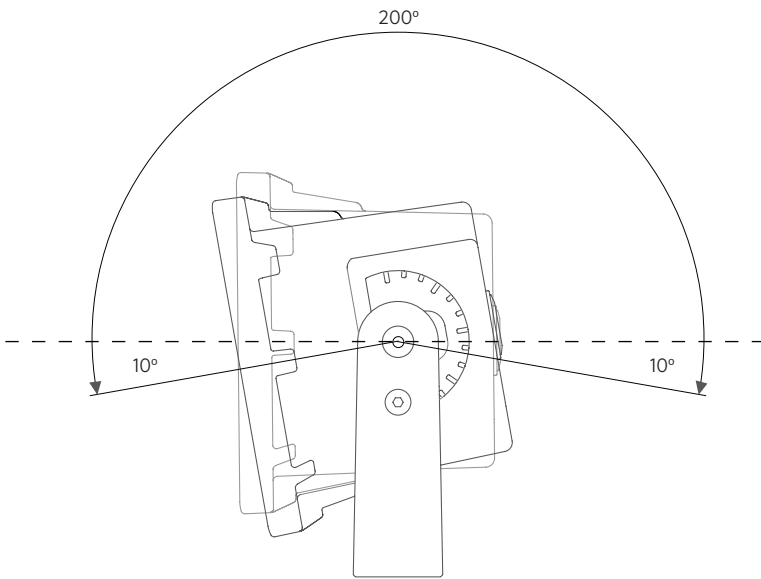
Certification & Compliance

IP Rating	IP68 to 33' (10 m)
IK Rating	IK8
Environment	15 W & 29 W: Submersible 15 W Only: Wet/Dry, Dry locations
Certifications	UL, CE, RCM, FCC

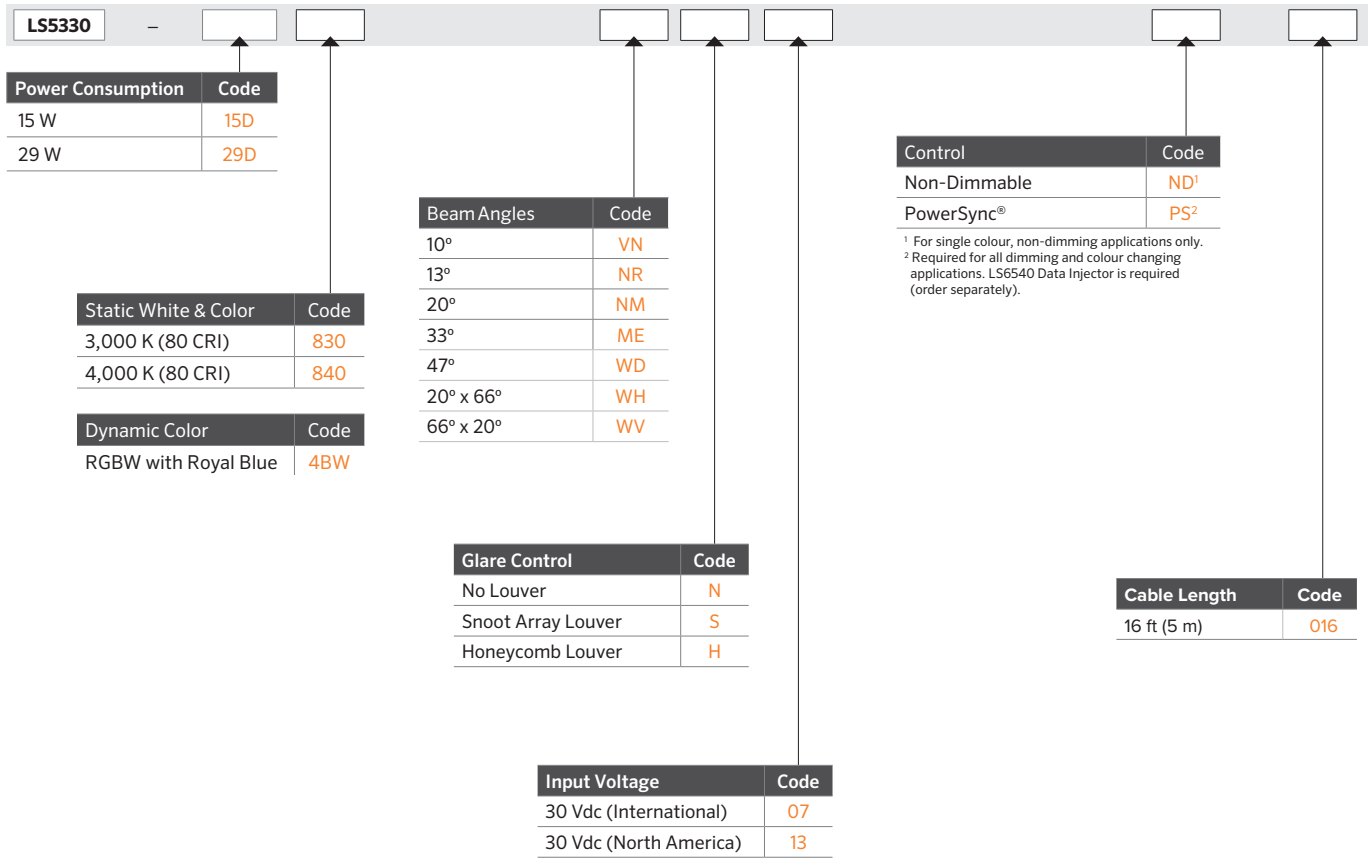
Dimensions



Luminaire Tilt



Specification Matrix



Accessories

PowerSync Low Voltage 30-48 Vdc Data Injector

Translates control signals into a digital format, delivering integral power and data to intelligent LED luminaires. This allows highly-granular addressing and high-speed digital control of every luminaire, using only three wires. The data injector is DIN rail mountable designed to be installed in a switchboard, next to the power supply and circuit breaker that is supplying power to the controlled lighting circuit. Accepts a growing list of standard protocols (0-10 V, DMX/RDM) for simple integration with a wide selection of control systems using these industry standard protocols.



Note:

PowerSync Data Injector ships with three (3) hardwired terminators and one (1) hardwired DMX terminator.

LS6550		-		2D	
Product	Code	Control	Code		
Data Injector PS4	LS6550	DMX/RDM, 0-10 V Input	2D		

Pool, Spa and Fountain Power Supply

Combines power and dimming control into a single convenient unit. Specifically approved for pool, spa and fountain luminaires up to 30 Vdc, this power supply accepts 0-10 V or DMX protocols, with the ability to fine tune dimming output. The diecast aluminium housing features a 9-step surface treatment process, including two layers of powdercoat, making it perfect for poolside locations or other locations where corrosion/exposure is of concern. Conforms to the UL379 pool, spa and fountain power unit standard.



Suitable for use in North America Only

LS6510		-		30V		-		240W		-		04		-		PD			
Output Voltage	Code	Light Engine	Code	Input Voltage	Code	Controls	Code	Finish	Code										
30 V Secondary	30V	240 W	240W	120 Vac, 50/60 Hz	04	PowerSync	PD ¹	Black	BL										
								Anthracite Gray	AG										
								Basalt Gray	BT										
								Graphite Gray	GH										
								Anodic Silver	SL										
								White	WT										
								Dark Bronze	DB										
								Latte	LT										
								Dark Aluminum	DA										
								Custom RAL	CC ¹										

¹ Suitable for non-dimmable applications

¹RAL color required

Wet Location Power Supply

Specifically approved for low voltage LED luminaires up to 30 Vdc, this power supply unit accepts 0-10 V or DMX protocols, with the ability to fine-tune dimming output. This makes it easier to use with many other manufacturer’s luminaires. The die-cast aluminium housing features a 9-step surface treatment process, including two layers of powder-coat, making the LS6520 perfect for poolside locations or other locations where corrosion or exposure is of concern.



Suitable for use in North America Only

LS6520		-		30V						09		-		PD			
Output Voltage	Code	Light Engine	Code	Input Voltage	Code	Controls	Code	Finish	Code								
30 V Secondary	30V	120 W	120W	120-277 Vac, 50/60 Hz	09	PowerSync	PD ¹	Black	BL								
		240 W	240W					Anthracite Gray	AG								
		320 W	320W					Basalt Gray	BT								
								Graphite Gray	GH								
								Anodic Silver	SL								
								White	WT								
								Dark Bronze	DB								
								Latte	LT								
								Dark Aluminum	DA								
								Custom RAL	CC ¹								

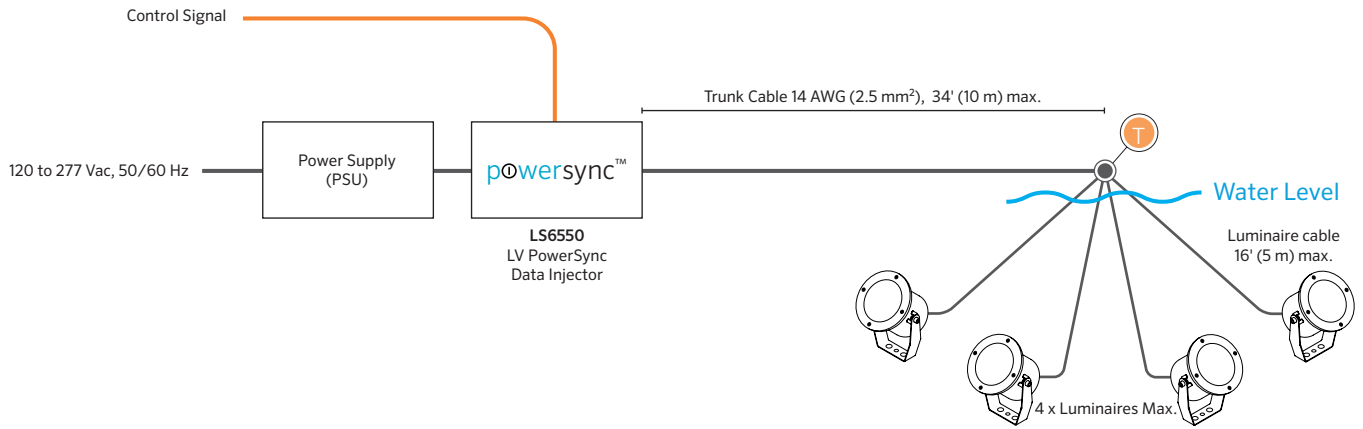
¹ Suitable for non-dimmable applications

¹RAL color required

Star Topology – Recommended for Underwater Applications

International Market

Circuit Limits – Dimmable and Color-Changing via PowerSync™



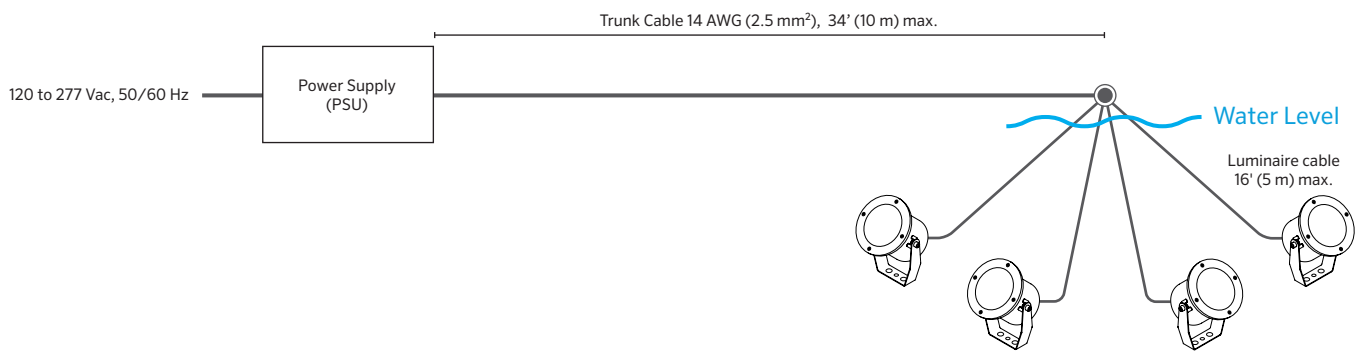
- Refer to "Transformer Compatability Table", for maximum number of luminaires
- Calculations based on 14 AWG (2.5 mm²) trunk cable, and 16' (5 m) luminaire cable from junction to fittings.
- Always observe local electrical codes for branch circuit current limitations
- For other configurations, contact Lumascape.

Transformer Compatability Table

Supply Voltage	Luminaire Power	Max. Leader Cable Length from Power Supply to First Luminaire	Maximum Number of Luminaires per Power Supply		
			120 W	240 W	320 W
30 Vdc	15 W	34' (10 m)	4	4	4
	29 W	34' (10 m)	3	4	4

T Terminator
Use PowerSync™ terminator, supplied with PowerSync Injector to terminate inside junction box.

Circuit Limits – Non-Dimmable, Single Color Only



- Refer to "Transformer Compatability Table", for maximum number of luminaires
- Calculations based on 14 AWG (2.5 mm²) trunk cable, and 16' (5 m) luminaire cable from junction to fittings.
- Always observe local electrical codes for branch circuit current limitations
- For other configurations, contact Lumascape.

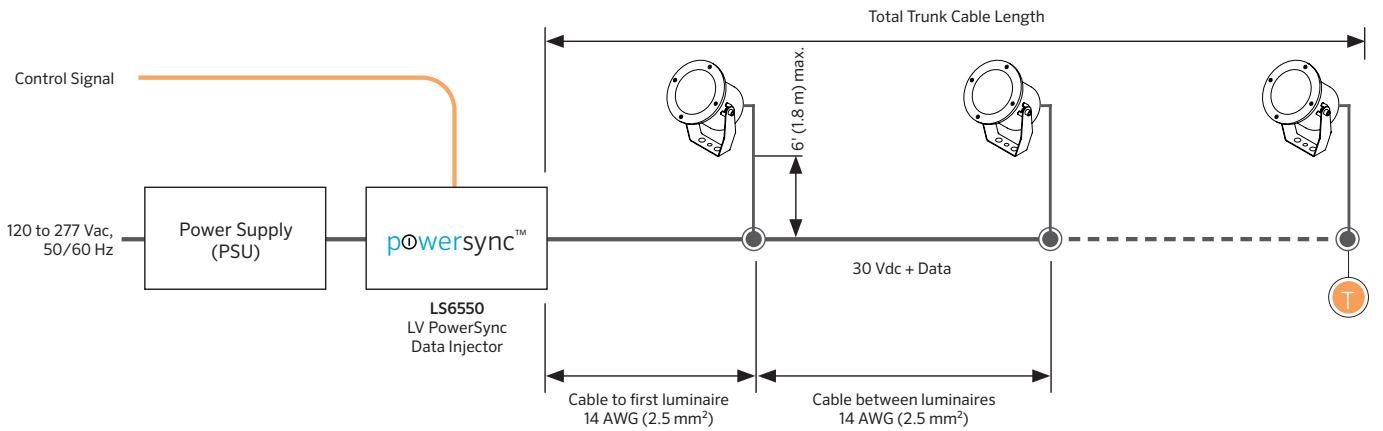
Transformer Compatability Table

Supply Voltage	Luminaire Power	Max. Leader Cable Length from Power Supply to First Luminaire	Maximum Number of Luminaires per Power Supply		
			120 W	240 W	320 W
30 Vdc	15 W	34' (10 m)	6	12	16
	29 W	34' (10 m)	3	6	8

Trunk Topology – Recommended for Above Water Applications

International Market

Circuit Limits – Dimmable and Color-Changing via PowerSync™



- Refer to "Transformer Compatability Table", for maximum number of luminaires
- Calculations based on 14 AWG (2.5 mm²) trunk cable, and 16' (5 m) trunk cable between luminaires.
- Always observe local electrical codes for branch circuit current limitations
- For other configurations, contact Lumascope.

Transformer Compatability Table

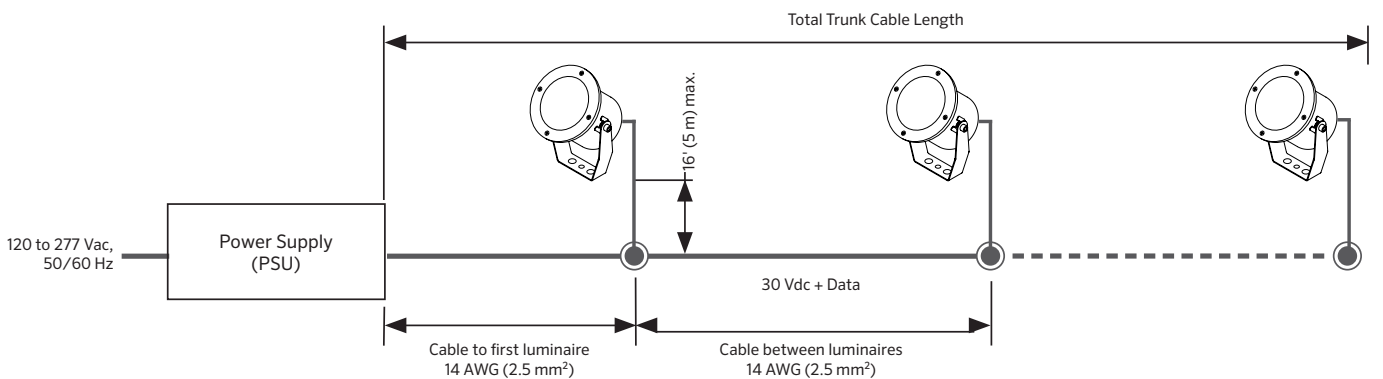
Supply Voltage	Luminaire Power	Max. Leader Cable Length from Power Supply to First Luminaire	Maximum Number of Luminaires per Power Supply		
			120 W	240 W	320 W
30 Vdc	15 W	50' (15 m)	6	8	8
		98' (30 m)	6	7	7
		164' (50 m)	5	5	5



Terminator

Use PowerSync™ terminator, supplied with PowerSync injector to terminate last luminaire in chain.

Circuit Limits – Non-Dimmable, Single Color Only



- Refer to "Transformer Compatability Table", for maximum number of luminaires
- Calculations based on 14 AWG (2.5 mm²) trunk cable, and 16' (5 m) trunk cable between luminaires.
- Always observe local electrical codes for branch circuit current limitations
- For other configurations, contact Lumascope.

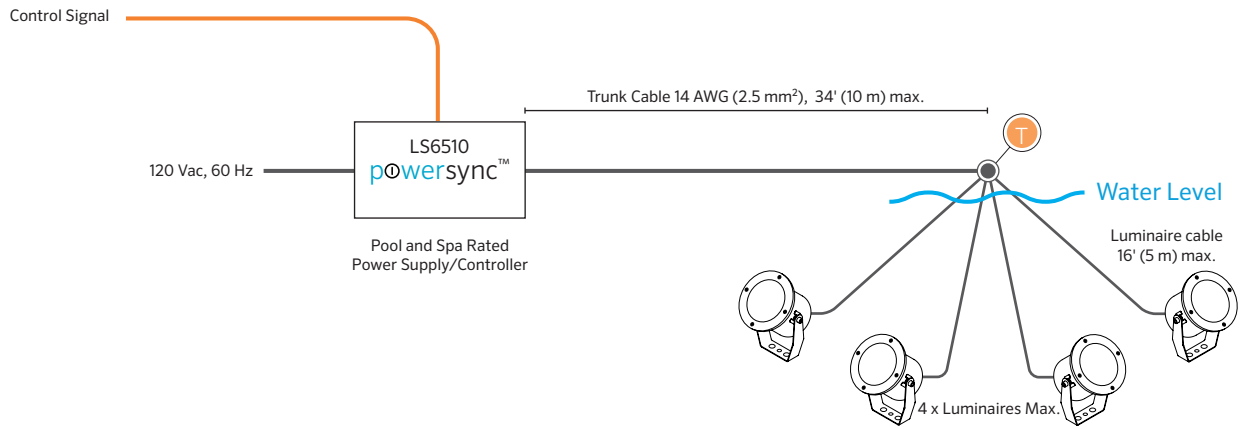
Transformer Compatability Table

Supply Voltage	Luminaire Power	Max. Leader Cable Length from Power Supply to First Luminaire	Maximum Number of Luminaires per Power Supply		
			120 W	240 W	320 W
30 Vdc	15 W	50' (15 m)	6	11	11
		98' (30 m)	6	9	9
		164' (50 m)	6	7	7

Star Topology – Recommended for Underwater Applications

North American Market

Circuit Limits – Dimmable and Color-Changing via PowerSync™



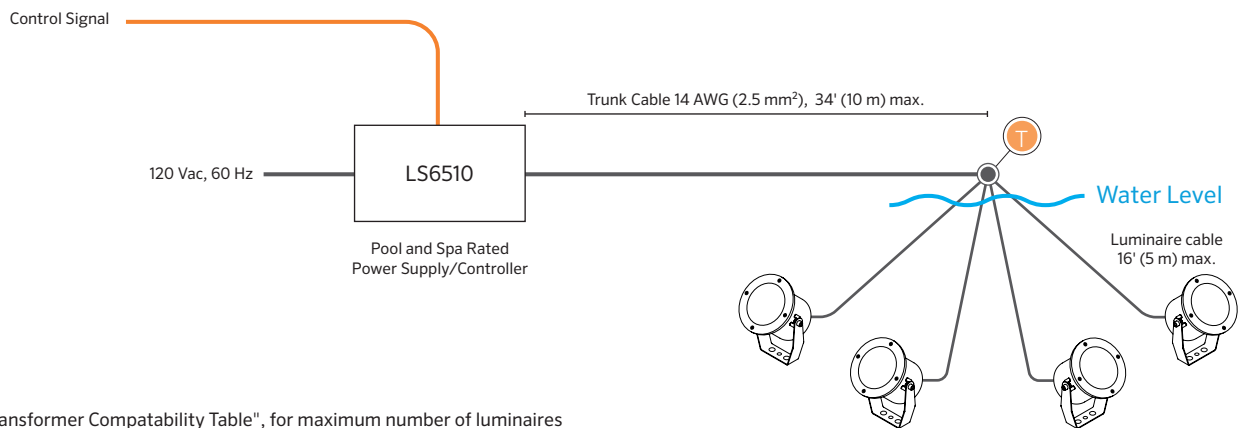
- Refer to "Transformer Compatibility Table", for maximum number of luminaires
- Calculations based on 14 AWG (2.5 mm²) trunk cable, and 16' (5 m) luminaire cable from junction to fittings.
- Always observe local electrical codes for branch circuit current limitations
- For other configurations, contact Lumascape.

Transformer Compatibility Table

Supply Voltage	Luminaire Power	Max. Leader Cable Length from Power Supply to First Luminaire	Maximum Number of Luminaires per Power Supply	
			240 W	
30 Vdc	15 W	34' (10 m)	4	
	29 W	34' (10 m)	4	

T Terminator
Use PowerSync™ terminator, supplied with PowerSync Injector to terminate inside junction box.

Circuit Limits – Non-Dimmable, Single Color Only



- Refer to "Transformer Compatibility Table", for maximum number of luminaires
- Calculations based on 14 AWG (2.5 mm²) trunk cable, and 16' (5 m) luminaire cable from junction to fittings.
- Always observe local electrical codes for branch circuit current limitations
- For other configurations, contact Lumascape.

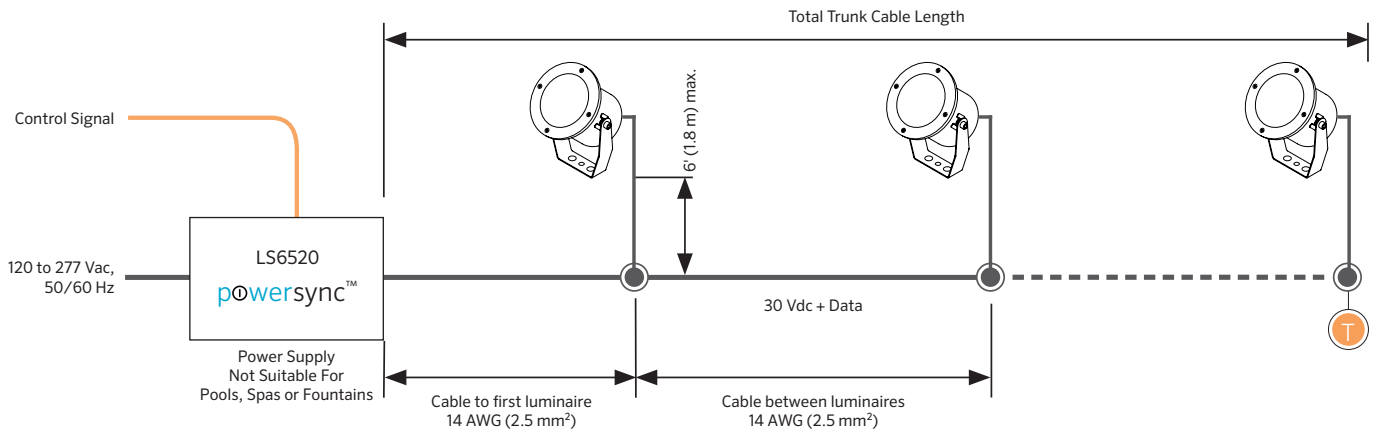
Transformer Compatibility Table

Supply Voltage	Luminaire Power	Max. Leader Cable Length from Power Supply to First Luminaire	Maximum Number of Luminaires per Power Supply	
			240 W	
30 Vdc	15 W	34' (10 m)	10	
	29 W	34' (10 m)	5	

Trunk Topology – Recommended for Above Water Applications

North American Market

Circuit Limits – Dimmable and Color-Changing via PowerSync™



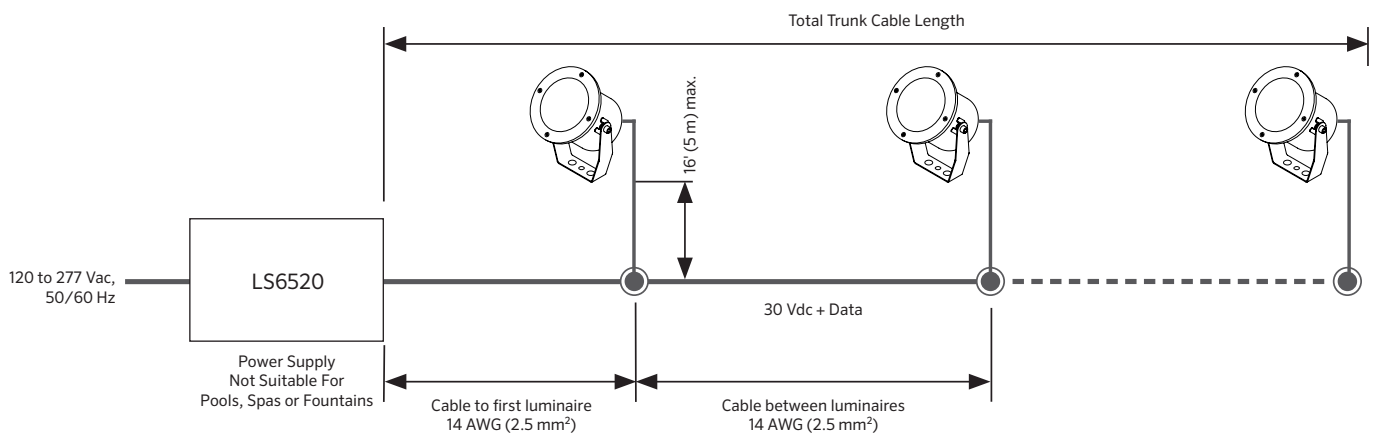
- Refer to "Transformer Compatibility Table", for maximum number of luminaires
- Calculations based on 14 AWG (2.5 mm²) trunk cable, and 16' (5 m) trunk cable between luminaires.
- Always observe local electrical codes for branch circuit current limitations
- For other configurations, contact Lumascope.

Transformer Compatibility Table

Supply Voltage	Luminaire Power	Max. Leader Cable Length from Power Supply to First Luminaire	Maximum Number of Luminaires per Power Supply		
			120 W	240 W	320 W
30 Vdc	15 W	50' (15 m)	6	6	6
		98' (30 m)	5	5	5
		164' (50 m)	3	3	3

T Terminator
Use PowerSync™ terminator, supplied with PowerSync injector to terminate last luminaire in chain.

Circuit Limits – Non-Dimmable, Single Color Only



- Refer to "Transformer Compatibility Table", for maximum number of luminaires
- Calculations based on 14 AWG (2.5 mm²) trunk cable, and 16' (5 m) trunk cable between luminaires.
- Always observe local electrical codes for branch circuit current limitations
- For other configurations, contact Lumascope.

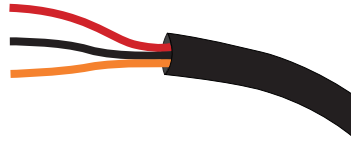
Transformer Compatibility Table

Supply Voltage	Luminaire Power	Max. Leader Cable Length from Power Supply to First Luminaire	Maximum Number of Luminaires per Power Supply		
			120 W	240 W	320 W
30 Vdc	15 W	50' (15 m)	6	9	9
		98' (30 m)	6	7	7
		164' (50 m)	6	6	6

Luminaire Wire Colors & Designations

Low Voltage 30 Vdc + PowerSync™

Designation	Color
Positive	Red
Negative	Black
Data	Orange



Low Voltage 30 Vdc Non-Dimmable

Designation	Color
Positive	Red
Negative	Black
Data	Not Used

