



The Kololux K8 is a large, high-powered, architectural-grade projector featuring Lumascope's patented Kompass technology that provides the ability to rotate elliptical beams through 360°. Helping to illuminate angled and curved architectural features, sculptural objects and organic natural elements with ease, the technology also provides flexibility in difficult mounting applications enabling the fitting to be mounted on uneven and angled surfaces while providing vertical or horizontal illumination.

Packed with additional features including EasyGlow™ visual comfort, CoolDrive™ and thermal management technologies.

**Up to 1,000,500 Candela**

**Performance**

Static White & Color <sup>1</sup>	Lumen Output (lm)	Efficacy (lm/W)	Peak Intensity (cd)
■ 2,700 K (80 CRI)	12,950	98	232,600
■ 3,000 K (80 CRI)	14,050	107	252,400
□ 3,500 K (80 CRI)	14,050	107	252,400
■ 4,000 K (80 CRI)	14,600	111	262,300
■ 5,000 K (70 CRI)	14,600	111	262,300

<sup>1</sup> Lumen output values are based on a 10° lens

**4.5° Beam Angle (VN Option)**

Static White & Color <sup>1</sup>	Lumen Output (lm)	Efficacy (lm/W)	Peak Intensity (cd)
■ 2,700 K (80 CRI)	10,020	89	887,200
■ 3,000 K (80 CRI)	10,880	97	962,700
□ 3,500 K (80 CRI)	10,880	97	962,700
■ 4,000 K (80 CRI)	11,310	101	1,000,500
■ 5,000 K (70 CRI)	11,310	101	1,000,500

<sup>1</sup> Lumen output values are based on a 4.5° lens

<b>Beam Angles</b>	4.5°, 5°, 10°, 15°, 30°, 45°, 65°, 40° x 10°, 60° x 10°, 40° x 20°, 60° x 20°
--------------------	---



Products and specifications are subject to change without notice.  
LS9382-250212

### Electrical

<b>Power Consumption</b>	< 132 W	
<b>Lifetime</b>	>86,935 hrs @122°F (50°C) ambient (B10, L90, TM21 Projected)	
<b>Input Voltage</b>	International	220 to 240 Vac, 50 Hz
	North America	120/277 Vac, 60 Hz
	Low Voltage	30-48 Vdc
<b>Thermal Management</b>	CoolDrive™ onboard thermal monitoring and control	

### Control

<b>Protocols</b>	DALI® (International), 0 to 10V (North America), Non-Dimmable	
------------------	---	--

### Physical

<b>Housing</b>	Marine-grade die-cast aluminum, tempered glass lens, isolated stainless-steel fasteners, adjustable mounting yoke (lockable) with mounting surface galvanic isolator	
<b>Finish</b>	Superior 9-step powder-coating process, including marine-grade epoxy undercoat and polyester top-coat	
<b>Installation</b>	Surface-mounted with included galvanic isolator	
<b>Adjustable</b>	Adjustable mounting yoke	
<b>Ambient Operating Temperature</b>	-40°F to 122°F (-40°C to 50°C)	
<b>Effective Projected Area</b>	1.7 ft² (0.15 m²)	
<b>Weight</b>	35.1 lb (15.9 kg)	

### Certification & Compliance

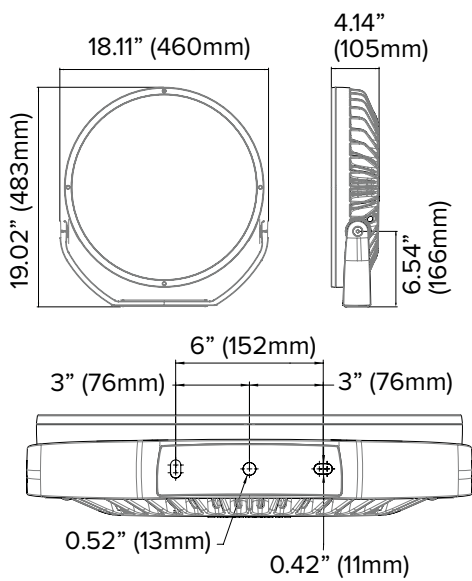
<b>IP Rating</b>	IP66 / IP67 (Passes IP68 test)	
<b>IK Rating</b>	IK9	
<b>Vibration Resistance</b>	3G Rating (ANSI C136.31) <i>With optional 3G Bracket</i>	
<b>Environment</b>	Dry, Damp, Wet locations	
<b>Certifications</b>	UL, CE, RCM, FCC	

Elliptical Beam Adjustment

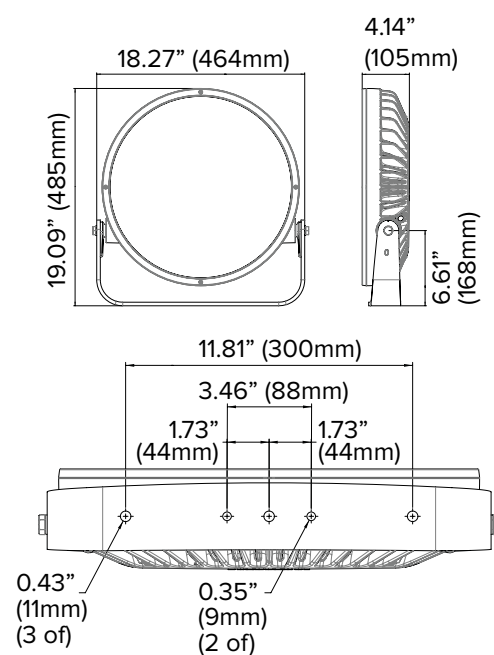


Dimensions

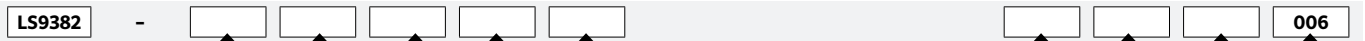
K8 with standard bracket



K8 with 3G bracket



Projector Specification Matrix



Power Consumption	Code
119 W	119D <sup>1</sup>
132 W	132D

<sup>1</sup> Very narrow (VN) beam angle option only

Input Voltage	Code
220 to 240 Vac, 50 Hz (International)	01
120/277 Vac, 60 Hz (North America)	09

Static White & Color	Code
2,700 K (80 CRI)	827
3,000 K (80 CRI)	830
3,500 K (80 CRI)	835
4,000 K (80 CRI)	840
5,000 K (70 CRI)	750

Control	Code
DALI (International)	DL
0 to 10V (NorthAmerica)	AH
Non-Dimmable	ND

Connection Type	Code
Flexible, single entry cable for hardwired installations	84
Flexible single entry cable, for connectorized installations	77
Flexible entry / exit cables, for connectorized installations	73

Finish	Code
Black	BL
Anthracite Gray	AG
Basalt Gray	BT
Graphite Gray	GH
Anodic Silver	SL
White	WT
Dark Bronze	DB
Latte	LT
Dark Aluminum	DA
Custom RAL	CC <sup>1</sup>

<sup>1</sup>RAL color required

Beam Angles	Code
4.5°	VN
5°	NX
10°	NR
15°	NM
30°	ME
45°	WD
65°	WF
40° x 10°	NK*
60° x 10°	LK*
40° x 20°	MK*
60° x 20°	WK*

\*Can rotate beams through 360° using Kompass technology

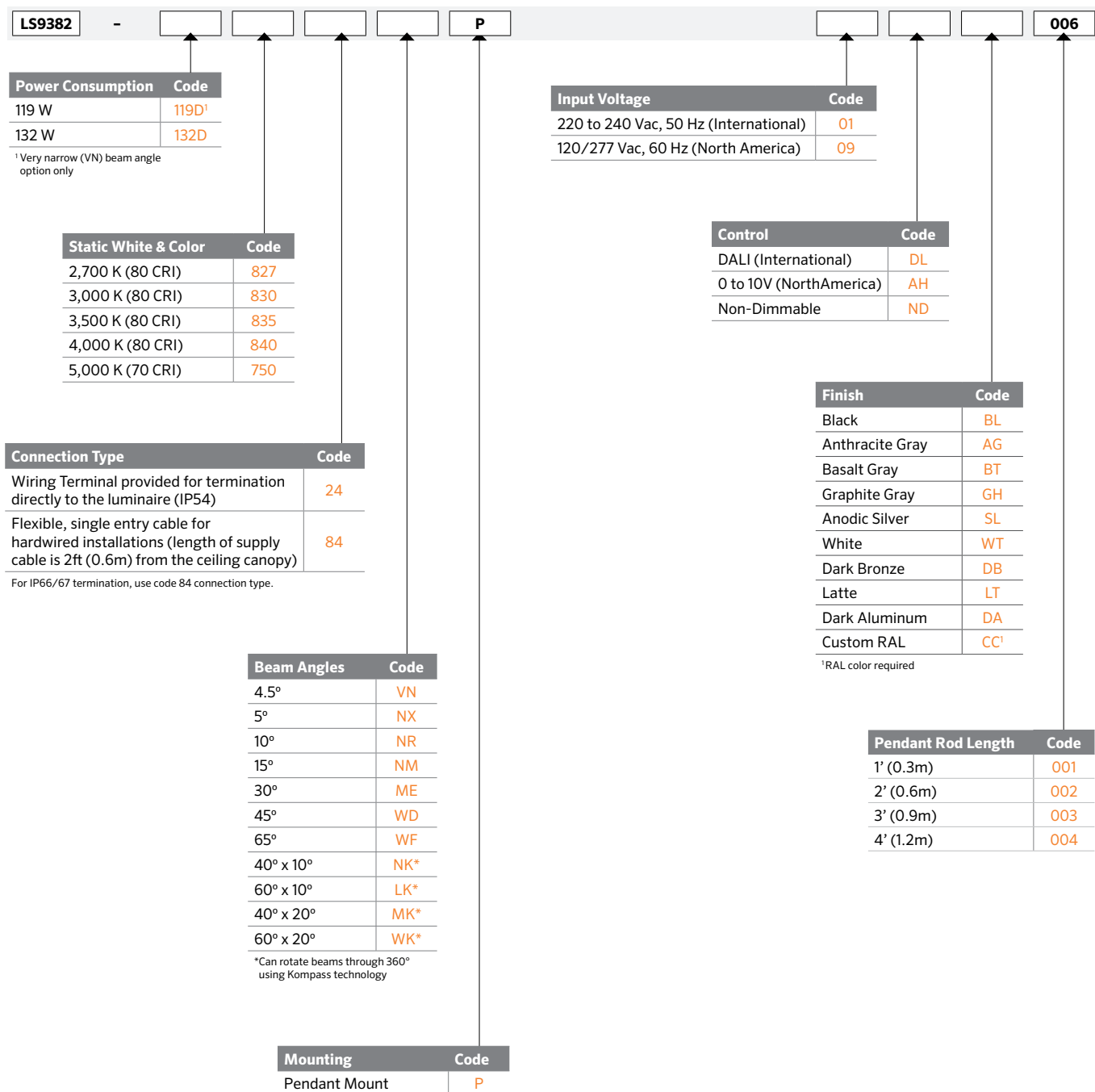
Cable Length	Code
6' (1.8 m)	006

For custom cable lengths, contact Lumascape for more information.

Mounting	Code
Standard Bracket	S
3G Rated Bracket	G <sup>1</sup>

<sup>1</sup>Also provides compatibility with Pole Clamp

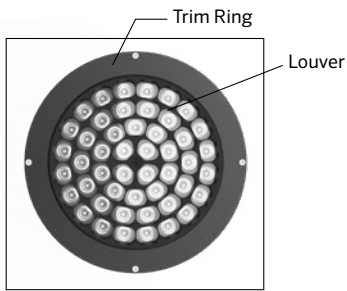
Pendant Specification Matrix



Accessories

Shielding & Glare Control

A range of shielding and glare control accessories are available to suit the Kololux K8 Spotlight.



**LS6255** Cross Hatch Louvre

Provides additional glare control. Can be used with LS6257 (30° Visor) or LS6256 (Snoot). Louver is available in black only, trim ring is available in standard finishes.

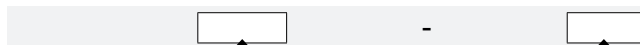
**LS6256** 30° Visor

Provides additional beam control and shielding.

**LS6257** Snoot

Provides additional glare control.

Specification Matrix



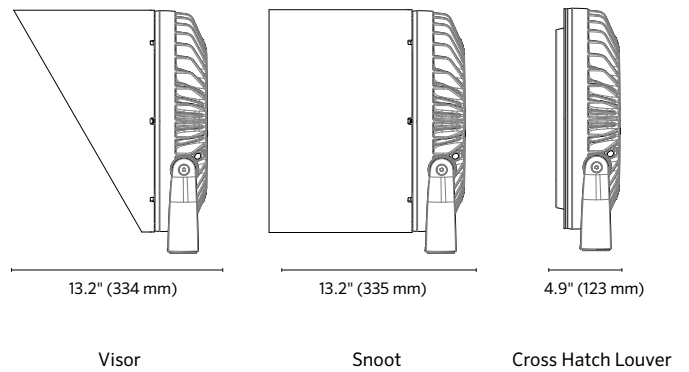
Louver Length	Code
Snoot	LS6257
30° Visor	LS6256
Cross Hatch Louver	LS6255

Custom Visors are available on request. Contact Lumascape for more information.

Finish	Code
Black	BL
Anthracite Gray	AG
Basalt Gray	BT
Graphite Gray	GH
Anodic Silver	SL
White	WT
Dark Bronze	DB
Latte	LT
Dark Aluminum	DA
Custom RAL	CC <sup>1</sup>

<sup>1</sup>RAL color required

Technical Drawings



Pendant Mount



**Pendant Mount** Available in 1' (0.3m), 2' (0.6m), 3' (0.9m) and 4' (1.2m) rod lengths.

Mounting Accessories



**Pole Clamp** (3G bracket must be used when using this mounting option)  
 Provides an easy method of installing the fixture onto a pole, while retaining fill aiming and adjustability. Available in 3.0" (76 mm), 4.0" (102 mm), 4.5" (114 mm) and 5.0" (127 mm) options.  
 LS6317, LS6318, LS6319, LS6320

NOTE:

3G Bracket MUST be used when using this mounting option

Specification Matrix

		-		
		↑	↑	
Mounting Accessories		Code	Finish	
3.0" (76 mm) Pole Clamp		LS6317	Black	BL
4.0" (102 mm) Pole Clamp		LS6318	Anthracite Gray	AG
4.5" (114 mm) Pole Clamp		LS6319	Basalt Gray	BT
5.0" (127 mm) Pole Clamp		LS6320	Graphite Gray	GH
			Anodic Silver	SL
			White	WT
			Dark Bronze	DB
			Latte	LT
			Dark Aluminum	DA
			Custom RAL	CC <sup>1</sup>

Luminaire must be ordered with a 3G rated bracket.

<sup>1</sup>RAL color required



**Wall/Pole Arm** Minimum 3.0" (76 mm) to maximum pole or wall.  
 LS6258

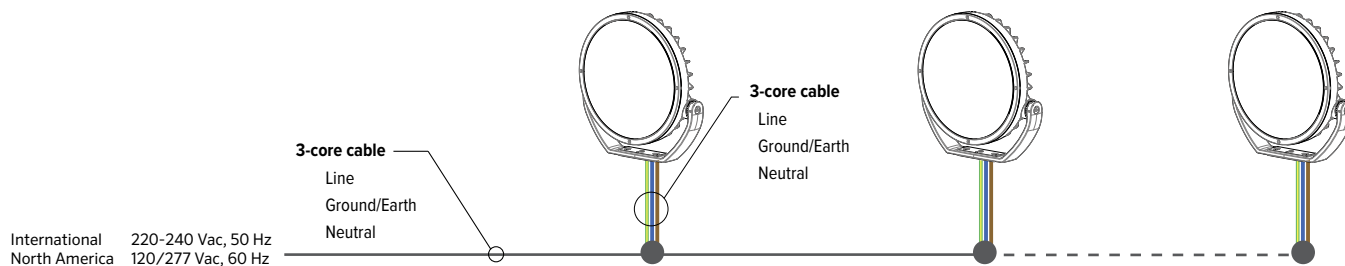
Specification Matrix

		-				
		↑	↑		↑	
Mounting Accessories		Code	Model		Finish	
Minimum 3.0" (76 mm) to maximum pole or wall. Pole/Wall mount arm		LS6258	K6 with standard bracket	S	Black	BL
			K8 with standard bracket	8	Anthracite Gray	AG
			K6/K8 with 3G rated bracket	G	Basalt Gray	BT
					Graphite Gray	GH
					Anodic Silver	SL
					White	WT
					Dark Bronze	DB
					Latte	LT
					Dark Aluminum	DA
					Custom RAL	CC <sup>1</sup>

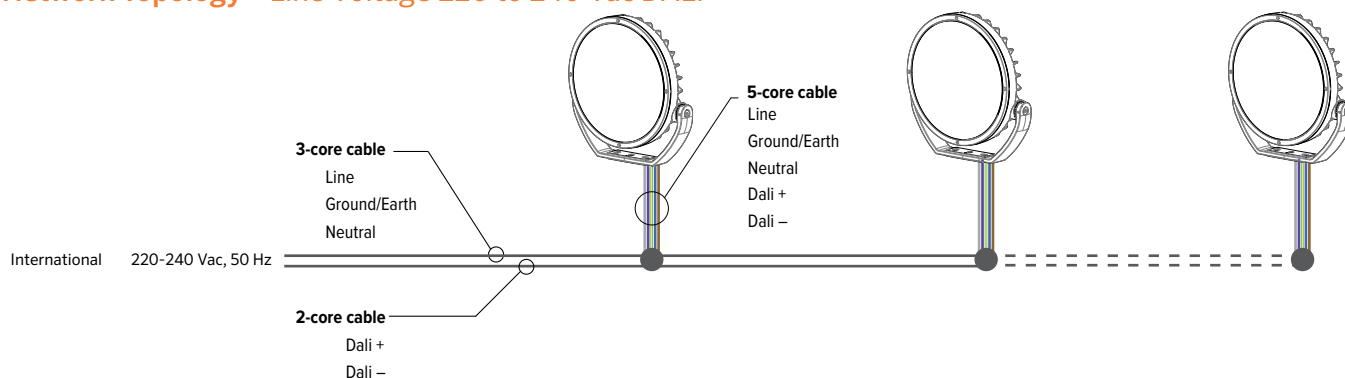
<sup>1</sup>RAL color required



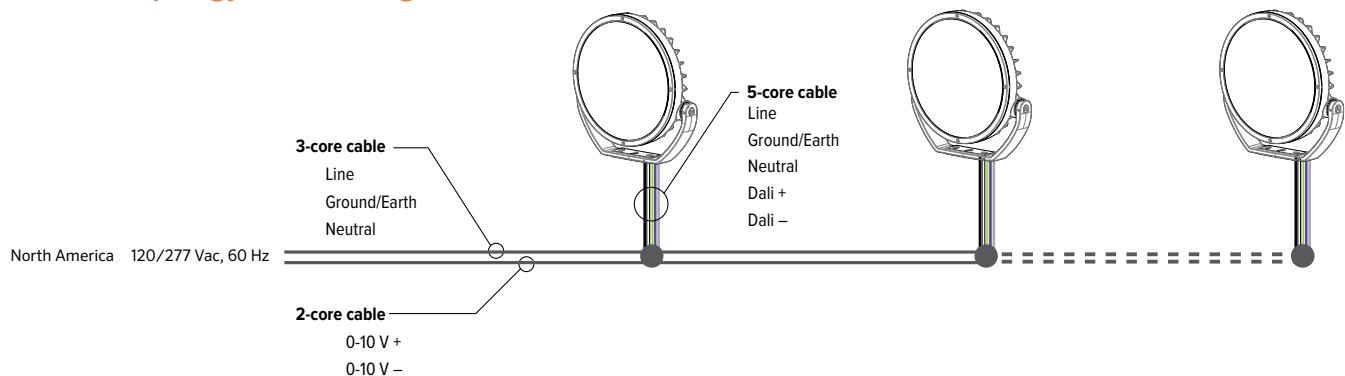
Network Topology - Line Voltage 220 to 240 Vac, 120/277 Vac Non-Dimmable



Network Topology - Line Voltage 220 to 240 Vac DALI



Network Topology - Line Voltage 120/277 Vac 0 to 10 V



**NOTE:**


For all luminaire wire colors and designations see page 9.

Connectorized Accessories - Line Voltage 220 to 240 Vac

**Leader Cables - Line Voltage 220 to 240 Vac (For Connection Type 77 Only)**

1.5 mm<sup>2</sup> or 2.5mm<sup>2</sup> for use in CE/CCC installations. Compatible with all luminaires with Type 77 connectorized supply cable options. Supplied fitted with an IP68 connector for pairing with the first connectorized luminaire in a Line Voltage circuit. Comes complete with a matching End of Circuit Terminator Plug.

Not suitable for use in North America




Cable Type	Code	Cable Type	Code	Length	Code
1.5 mm <sup>2</sup>	LS6402C	Non-Dimmable (4-core cable)	ND	6' (2 m)	006
2.5 mm <sup>2</sup>	LS6402C-2.5	DALI (5-core cable)	DL <sup>1</sup>	10' (3 m)	010
				32' (10 m)	032
				50' (15 m)	050

<sup>1</sup> Available in 1.5 mm<sup>2</sup> cable only

**Jumper Cables - Line Voltage 220 to 240 Vac (For Connection Type 77 Only)**

1.5 mm<sup>2</sup> or 2.5mm<sup>2</sup> for use in CE/CCC installations. Compatible with all luminaires with 77 connectorized supply cable options. Supplied fitted with an IP68 connector for pairing with the first connectorized luminaire in a Line Voltage circuit.

Not suitable for use in North America



Cable Type	Code	Cable Type	Code	Length	Code
1.5 mm <sup>2</sup>	LS6404C	Non-Dimmable (4-core cable)	ND	1' (0.3 m)	001
2.5 mm <sup>2</sup>	LS6404C-2.5	DALI (5-core cable)	DL <sup>1</sup>	2' (0.6 m)	002
				3' (1 m)	003
				4' (1.2 m)	004
				6' (2 m)	006
				10' (3 m)	010
				16' (5 m)	016
				26' (26 m)	026
				32' (10 m)	032
				50' (15 m)	050


<sup>1</sup> Available in 1.5 mm<sup>2</sup> cable only

Connectorized Accessories - Line Voltage 120/277 Vac

**Leader Cables - Line Voltage 120/277 Vac (For Connection Type 77 Only)**

14 AWG cable for use in UL installations. Compatible with all luminaires with Type 77 connectorized supply cable options. Supplied fitted with an IP68 connector for pairing with the first connectorized luminaire in a Line Voltage circuit. Comes complete with a matching End of Circuit Terminator Plug.

For use in North America ONLY




Cable Type	Code	Cable Type	Code	Length	Code
14 AWG	LS6402U	Non-Dimmable (4-core cable)	ND	6' (2 m)	006
		0-10 V (5-core cable)	AH	10' (3 m)	010
				32' (10 m)	032
				50' (15 m)	050

**Jumper Cables - Line Voltage 120/277 Vac (For Connection Type 77 Only)**

14 AWG for use in UL installations. Compatible with all Luminaires with Type 73 or 77 connectorized supply cable options. Supplied fitted with an IP68 connector for pairing with the first connectorized luminaire in a Line Voltage circuit.

For use in North America ONLY

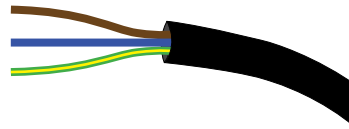


Cable Type	Code	Cable Type	Code	Length	Code
14 AWG	LS6404U	Non-Dimmable (4-core cable)	ND	1' (0.3 m)	001
		0-10 V (5-core cable)	AH	2' (0.6 m)	002
				3' (1 m)	003
				4' (1.2 m)	004
				6' (2 m)	006
				10' (3 m)	010
				16' (5 m)	016
				26' (26 m)	026
				32' (10 m)	032
				50' (15 m)	050

Luminaire Wire Colors & Designations

Non-Dimmable Line Voltage 220-240 Vac - International

Designation	Color
Line	Brown
Neutral	Blue
Ground/Earth	Green / Yellow



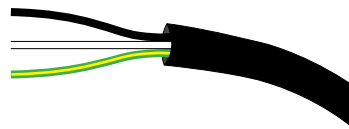
DALI Line Voltage 220-240 Vac - International

Designation	Color
Line	Brown
Neutral	Blue
Ground/Earth	Green / Yellow
DALI +	Grey
DALI -	Black



Non-Dimmable Line Voltage 120/277 Vac - North America

Designation	Color
Line	Black
Neutral	White
Ground/Earth	Green / Yellow



0-10 V Line Voltage 120/277 Vac - North America

Designation	Color
Line	Black
Neutral	White
Ground/Earth	Green / Yellow
0-10 V +	Purple
0-10 V -	Pink or Grey

