



The Erden Brass EB2 is a medium-powered in-ground that combines technology and performance in a modern form factor. Packed with features including **EasyGlow™** visual comfort and **CoolDrive™** thermal management technologies. **PowerSync™** allows for highly granular digital control via common protocols using mains voltage. Available in white, color-changing and tunable white light engines.

Performance

Static White & Colour ¹	Lumen Output (lm)	Efficacy (lm/W)	Peak Intensity (cd)
● 2,700 K (80 CRI)	730	84	10,000
● 3,000 K (80 CRI)	780	90	10,700
○ 3,500 K (80 CRI)	760	87	10,400
● 4,000 K (80 CRI)	810	93	11,100

¹ Lumen output is based on 14° lens.

Dynamic Colour ²	Lumen Output (lm)	Efficacy (lm/W)	Peak Intensity (cd)
● RGBA	310	40	4,300
● RGBW (4,000 K) with Royal Blue*	380	43	5,800

² Lumen output is based on 12° lens.

Tunable White ³	Lumen Output (lm)	Efficacy (lm/W)	Peak Intensity (cd)
● 2,700 K - 6,500 K	640	78	9,200

³ Lumen output is based on 12° lens.

Beam Angles	12°, 14°, 20°, 25°, 35°, 45°, 50°, 55°, 10° x 40°, 40° x 10°, 20° x 60°, 60° x 20°
-------------	--



Products and specifications are subject to change without notice. LS3320-250218

Electrical

Power Consumption	< 9 W
Lifetime	> 179,506 hours @ 122°F (50°C) Ambient Temperature (B10, L90, TM21 Projected)
Input Voltage	Low Voltage 30 to 48 Vdc
Thermal Management	CoolDrive™ onboard thermal monitoring and control

Control

Interface	Lumascap PowerSync™
Protocols	DMX/RDM, Artnet ¹ , 0-10 V (sink or source) ²
PWM Frequency	2 kHz flicker-free dimming to 0.1%
RDM Functionality	PowerSync enabled Lumascap luminaires are shipped with a default RDM personality which provides smooth dimming control. For different dimming characteristics or to enable other special functionalities, the default personality can be changed through industry standard DMX/RDM.
Systems	Range of third-party controllers

¹ Some protocols require additional hardware. For more information and other available protocols contact Lumascap.

² Not available for color-changing or tunable white

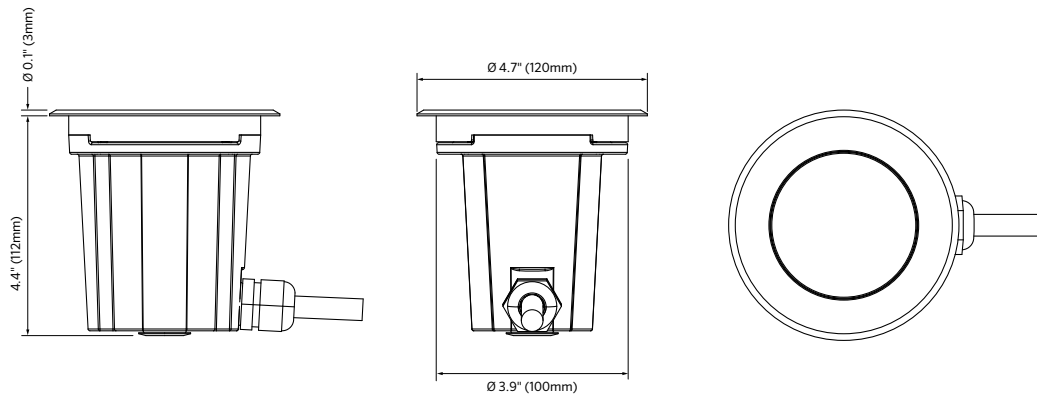
Physical

Housing	Die-cast brass body with stainless-steel lid
Installation	Pre-Installation blockout for concrete pour, drive-over and general use applications. Pipe clamping kit for mounting in schedule 40, 4" (100mm) PVC pipe supplied by others. Direct burial for landscapes, planters and special applications.
Adjustability	
Wiring	84 (flexible cable), 82 (½" NPT) Direct Burial and Pre-Install
Ambient Operating Temperature	-4°F to 122°F (-20°C to 50°C)
Surface Temperature	< 149°F (< 65°C)
Weight	4.0 lb (1.8 kg)
Drive-Over	With OptiClear lens and pre-installation kit (LS6388)

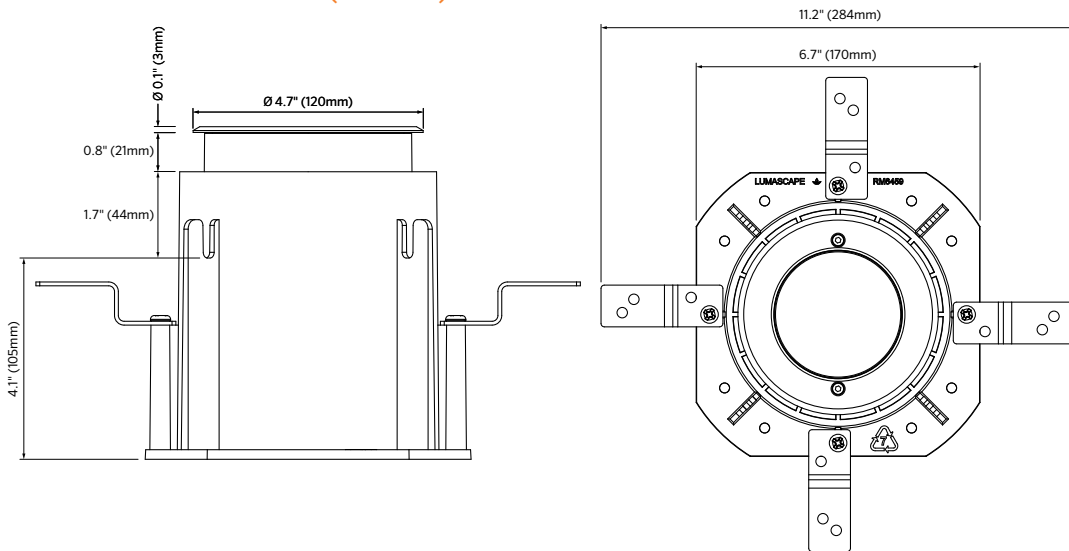
Certification & Compliance

IP Rating	IP68
IK Rating	IK8
Static Load Rating	6,614 lb (3,000 kg)
Environment	Dry, Damp, Wet Locations Inherently protected Suitable for use in poured concrete
Certifications	UL, CE, RCM, FCC

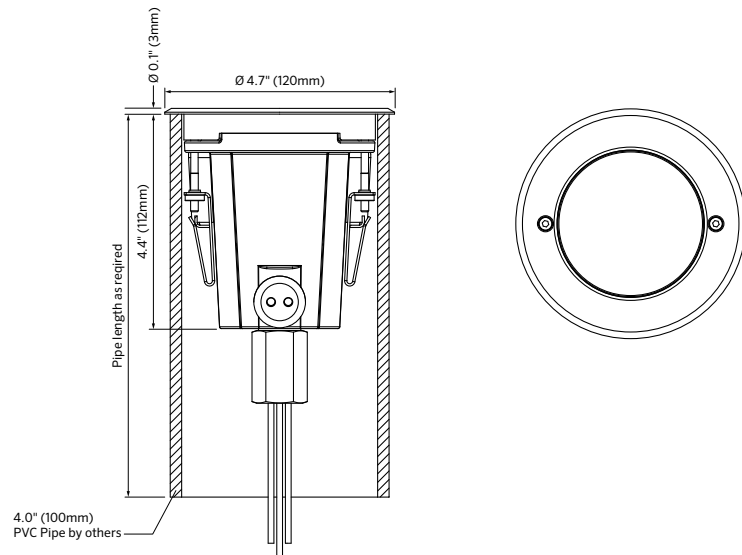
Dimensions - Direct Burial

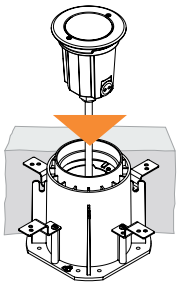


Dimensions - Pre-Install (LS6388)



Dimensions - Conduit Mount (LS6389)

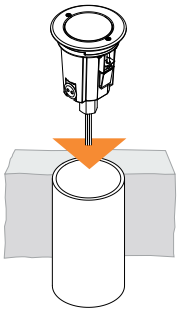




Pre-Installation Blockout

This type of installation requires the LS6388 Pre-Installation Kit (ordered separately), which acts as a concrete blockout and is intended for installation before the luminaire. This method ensures the luminaire itself is not damaged during concreting or other site works.

Used for	Drive over applications General use applications Concrete pour applications where luminaire is to be installed after site work has been completed.
Benefits	Easy removal for servicing
Accessories	LS6388 Pre-Installation Blockout

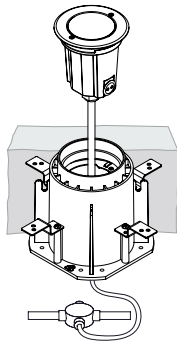


Pipe Clamping Kit

This type of installation requires the LS6389 Pipe Clamping Kit (ordered separately). A schedule 40, 4" (100mm) conduit can be used during the concrete pouring process. This ensures the luminaire itself is not damaged during concreting or other site works. Once all the site work is completed the luminaire can be installed.

Used for	Drive over applications General use applications Concrete pour applications where luminaire is to be installed after site work has been completed.
Benefits	Easy removal for servicing
Accessories	LS6389 Pipe Clamping Kit

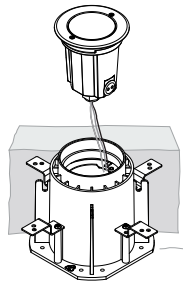
Connection type '84'



Flexible Cable

For connections to the branch circuit via junction box (by others) or other approved method. 6.5' (2 m) length. For other length options, contact Lumascape.

Connection type '82' North American market only



1/2" NPT Adapter

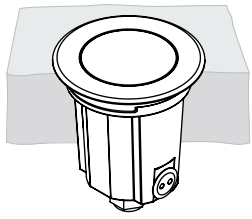
The luminaire is factory-fitted with 6.5' (2 m) hookup wire. Ensure terminations can be made within this length. For other length options, consult Lumascape.

Round Flush Cover

Flush covers for pre-installation, use special seals and support bushes to ensure static loads up to 6,614 lb (3,000 kg) are properly supported. In order, to achieve this drive-over rating, OptiClear™ or GripGlass™ must be used.



**Pre-Installation Blockout & Conduit Mount
Round Flush Cover**
■ SS316: Polished

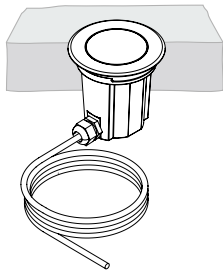


Direct Burial

Luminaire is put directly into soil or concrete.

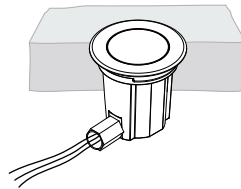
Used for	Landscaping areas Applications where depth is restricted Rate for use in concrete pour applications Economical option
Benefits	Allows for maximum heat dissipation
Restrictions	Not as easy to remove for service as pre-install version Not suitable for drive-over (requires pre-installation) Connection Type 82 only available for North American market.

Connection type '84'



Flexible Cable
For connections to the branch circuit via junction box (by others) or other approved method. 6.5' (2 m) length. For other length options, contact Lumascape.

Connection type '82'
North American Market only



1/2" NPT Adapter
The luminaire is factory-fitted with 6.5' (2 m) hookup wire. Ensure terminations can be made within this length. For other length options, contact Lumascape.

Round Flush Cover

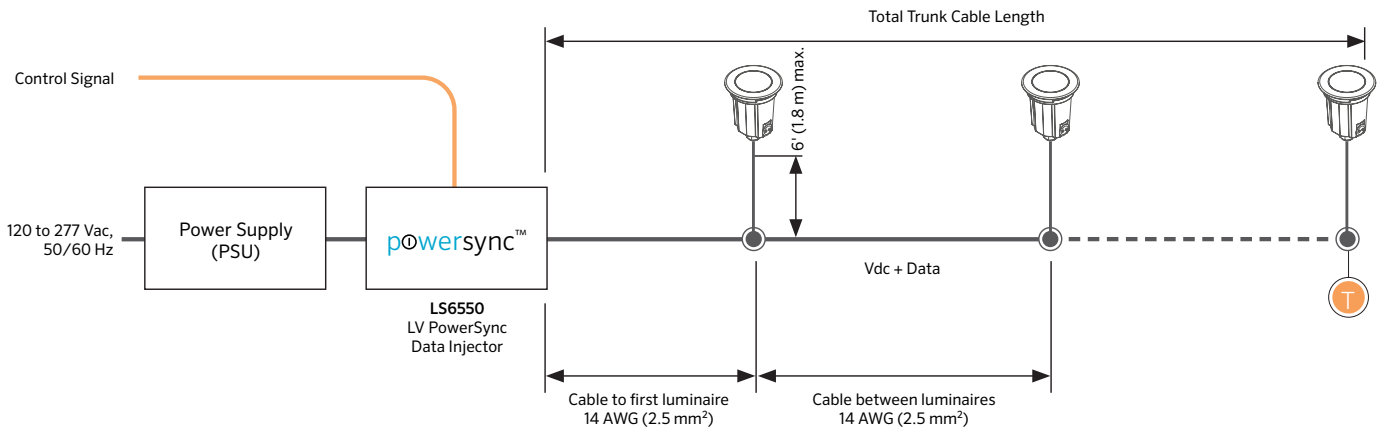
Use flush covers for installation in fine finished surfaces such as granite and marble. Can also be used in some suspended applications to conceal gaps between the luminaire and the surrounding surface.



Round Flush Cover
■ SS316: Polished

Trunk Topology – Recommended for Above Water Applications

Circuit Limits – Dimmable and Color-Changing via PowerSync™



- Refer to "Transformer Compatability Table", for maximum number of luminaires
- Calculations based on 14 AWG (2.5 mm²) trunk cable, and 16' (5 m) trunk cable between luminaires.
- Always observe local electrical codes for branch circuit current limitations
- For other configurations, contact Lumascape.

Transformer Compatability Table

Supply Voltage	Luminaire Power	Max. Leader Cable Length from Power Supply to First Luminaire	Maximum Number of Luminaires per Power Supply				
			120 W	240 W	320 W	480 W	600 W
30 Vdc	15 W	50' (15 m)	9	9	9	9	9
		98' (30 m)	7	7	7	7	7
		164' (50 m)	4	4	4	4	4
48 Vdc	15 W	50' (15 m)	9	18	21	21	21
		98' (30 m)	9	17	18	18	18
		164' (50 m)	9	16	16	16	16



Terminator

Use PowerSync™ terminator, supplied with PowerSync Injector to terminate last luminaire in chain.

Accessories

PowerSync Low Voltage 30-48 Vdc Data Injector

Translates control signals into a digital format, delivering integral power and data to intelligent LED luminaires. This allows highly-granular addressing and high-speed digital control of every luminaire, using only three wires. The data injector is DIN rail mountable designed to be installed in a switchboard, next to the power supply and circuit breaker that is supplying power to the controlled lighting circuit. Accepts a growing list of standard protocols (0-10 V, DMX/RDM) for simple integration with a wide selection of control systems using these industry standard protocols.



Note:

PowerSync Data Injector ships with three (3) hardwired terminators and one (1) hardwired DMX terminator.

LS6550

Product	Code
LV Data Injector PS4	LS6550

Pre-Installation Kit

This type of installation requires the **LS6388** Pre-Installation Kit (ordered separately), which acts as a concrete blockout and is intended for installation before the luminaire. This method ensures the luminaire itself is not damaged during concreting or other site works.

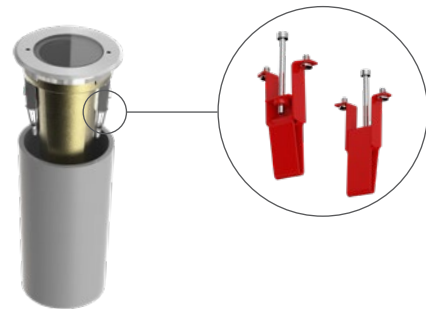


LS6388

Product	Code
Pre-Installation Kit	LS6388

Pipe Clamping Kit

This type of installation requires the **LS6389** Pipe Clamping Kit (ordered separately). Using this installation method the luminaire can be mounted in a schedule 40, 4" (100mm) PVC Pipe, supplied by others. This method ensures the luminaire itself is not damaged during concreting or other site works.



LS6389

Product	Code
Pipe Clamping Kit	LS6389

Luminaire Wire Colors & Designations

Low Voltage 30 Vdc + PowerSync™

Designation	Color
Positive	Red
Negative	Black
Data	Orange

