

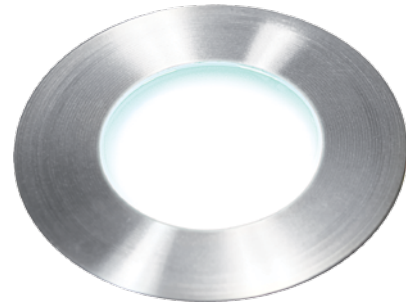


The LS563LED is a marker light featuring a luminous surface with uniform brightness. A 3 W version is also available, suitable for applications requiring a beam of light. Constructed from 316 marine grade stainless steel, the luminaire features an **ElectroPolishPlus™** finish for enhanced appearance and corrosion protection.

Specifications

Source	1 W or 3 W LED <input type="checkbox"/> White (4 000 K typical) <input type="checkbox"/> Warm white (3 000 K typical) <input type="checkbox"/> Blue (470 nm) <i>Other colors by request</i> <input type="checkbox"/> RGB
Control Options	PWM <i>(0-10 V → PWM and DMX → PWM conversion available)</i> On-site or factory-programmable brightness
IP Rating	IP68
Construction	316 marine grade stainless steel
Installation Types	Pre-Installation Blockout Concrete pour & general use applications <i>(not for drive-over locations)</i> Direct Burial Landscapes, planters & special applications <i>(consult factory)</i>
Static Load Rating	2 425 lb (1 100 kg) with pre-installation blockout (LS698-K).
Impact Rating	IK7
Standard Inclusions	MicroAntiLeach™ cable entry and 3 m cable
Ambient Operating Temperature	-4 °F to 122 °F (-20 °C to +50 °C)
Surface Temperature	≤149 °F (≤65 °C) HumanTouch™ compliant
Photometrics	Refer to www.lumascap.com

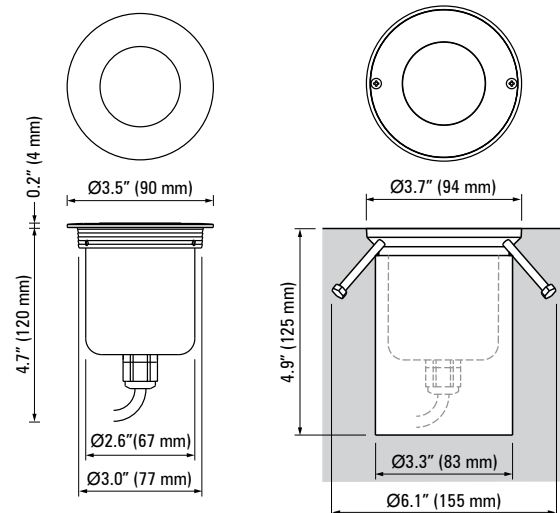
Any luminaire can become hot - take care with appropriate use and placement



LS563LED Vedi
1 W or 3 W version with diffuser lens



LS563LED Vedi
3 W version with clear lens



Direct Burial
Complete with 3 m MicroAntiLeach™ cable

Pre Installation
Complete with LS698-K pre installation and 3 m MicroAntiLeach™ cable

LS563LED Pre-Installation Blockout

SOURCE				FINISH		BEAM		INSTALLATION TYPE		LUMINAIRE INPUT VOLTAGE		
Description	Wattage	Color	Code	Description	Code	Description	Code	Description	Code	Description	Code	
LED	1 W	White (4 000 K typ.)	1W4 ⁽¹⁾	Stainless steel	SS	Narrow 20°	NM ⁽¹⁾	Pre-installation	23 ⁽¹⁾	110-240 V AC 50/60 Hz	01 ⁽¹⁾	
		Warm white (3 000 K typ.)	1H6 ⁽¹⁾			Medium 25°	ME			24 V DC	07 ⁽¹⁾⁽²⁾	
		Blue (470 nm)	1B4 ⁽¹⁾			Wide 40°	WD			PWM Dimmable Driver, 24 V DC	27 ⁽²⁾	
	3 W	RGB	3M4			Marker	FL ⁽²⁾					
		3 W	White (4 000 K typ.)			3W4						
			Warm white (3 000 K typ.)			3H6						
	Blue (470 nm)		3B4									

⁽¹⁾ Not available for RGB.
⁽²⁾ Diffused lens.

⁽¹⁾ LS698-K required - order separately.

⁽¹⁾ Not available for RGB.
⁽²⁾ Requires remote power supply.

LS563LED Direct Burial

SOURCE				FINISH		BEAM		INSTALLATION TYPE		LUMINAIRE INPUT VOLTAGE		
Description	Wattage	Color	Code	Description	Code	Description	Code	Description	Code	Description	Code	
LED	1 W	White (4 000 K typ.)	1W4 ⁽¹⁾	Stainless steel	SS	Narrow 20°	NM ⁽¹⁾	Direct burial	21	110-240 V AC 50/60 Hz	01 ⁽¹⁾	
		Warm white (3 000 K typ.)	1H6 ⁽¹⁾			Medium 25°	ME			24 V DC	07 ⁽¹⁾⁽²⁾	
		Blue (470 nm)	1B4 ⁽¹⁾			Wide 40°	WD			PWM Dimmable Driver, 24 V DC	27 ⁽²⁾	
	3 W	RGB	3M4			Marker	FL ⁽²⁾					
		3 W	White (4 000 K typ.)			3W4						
			Warm white (3 000 K typ.)			3H6						
	Blue (470 nm)		3B4									

⁽¹⁾ Not available for RGB.
⁽²⁾ Diffused lens.

⁽¹⁾ Not available for RGB.
⁽²⁾ Requires remote power supply.